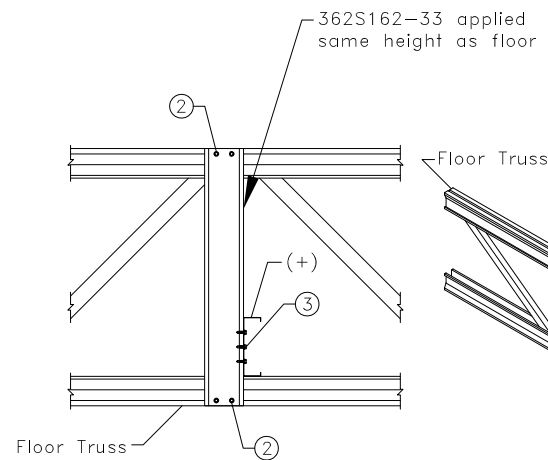
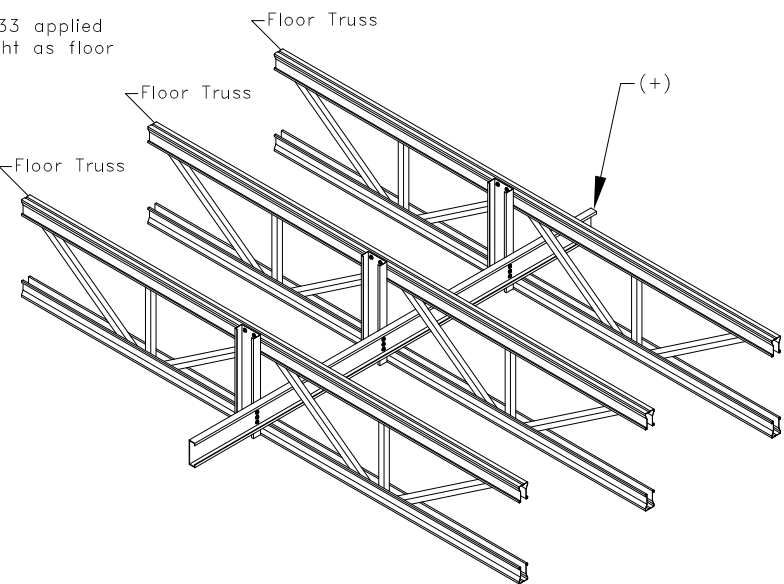


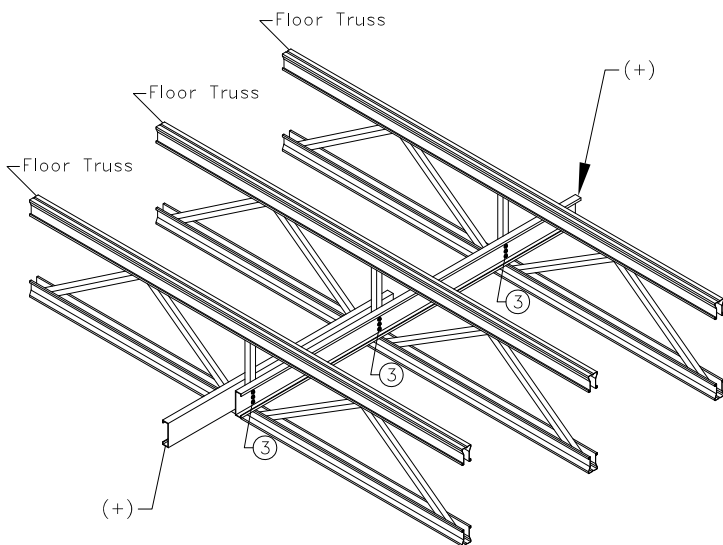
Continuous Strongback Connection



Vertical Stud Connection



Strongback Connection When No Truss Vertical Web Is Present



Spliced Strongback Connection

Strongbacks must overlap a distance of one truss-to-truss spacing at splice.

General Notes:

1. SDS = Self-Drilling Tapping Screw
2. Fastener spacing, edge distance and end distance are 9/16"(14mm).
3. Circled numbers represent quantity of #10SDS.
4. The strongbacks on sealed TrusSteel drawings for floors are not considered in the structural analysis of the floor trusses, therefore they do not act as support or bearing for these trusses. However, to minimize the dynamic response of floor systems, strongbacks may be specified at a maximum of 10'(3048mm) O.C.
5. Strongbacks should be attached to walls at their outer ends or restrained by other means.
6. Strongbacks should be placed as close to the bottom chord of the floor trusses as possible.
7. (+) 600S162-33 or 550S162-33 stud member continuous strongback. Attach to each truss where shown with (3) #10SDS into vertical web member.
8. 30" (762mm) Top Chord panel (TYP).

**TrusSteel**<sup>®</sup>

www.TrusSteel.com

Florida: 1950 Marley Drive / Haines City, FL 33844 / (800) 755-6001  
 Missouri: 13389 Lakefront Drive / Earth City, MO 63045 / (800) 326-4102

**Strongback Bridging  
 Guidelines For TrusSteel  
 Floor Trusses**

ITW Building Components Group, Inc. shall not be responsible for any performance failure in a connection due to a deviation from this detail. Any variation from this detail shall be approved in advance by ITW Building Components Group, Inc.

**Standard Detail:**

TS066

**Date:**

07/16/12

**TrusSteel Detail Category:**

Floor Truss