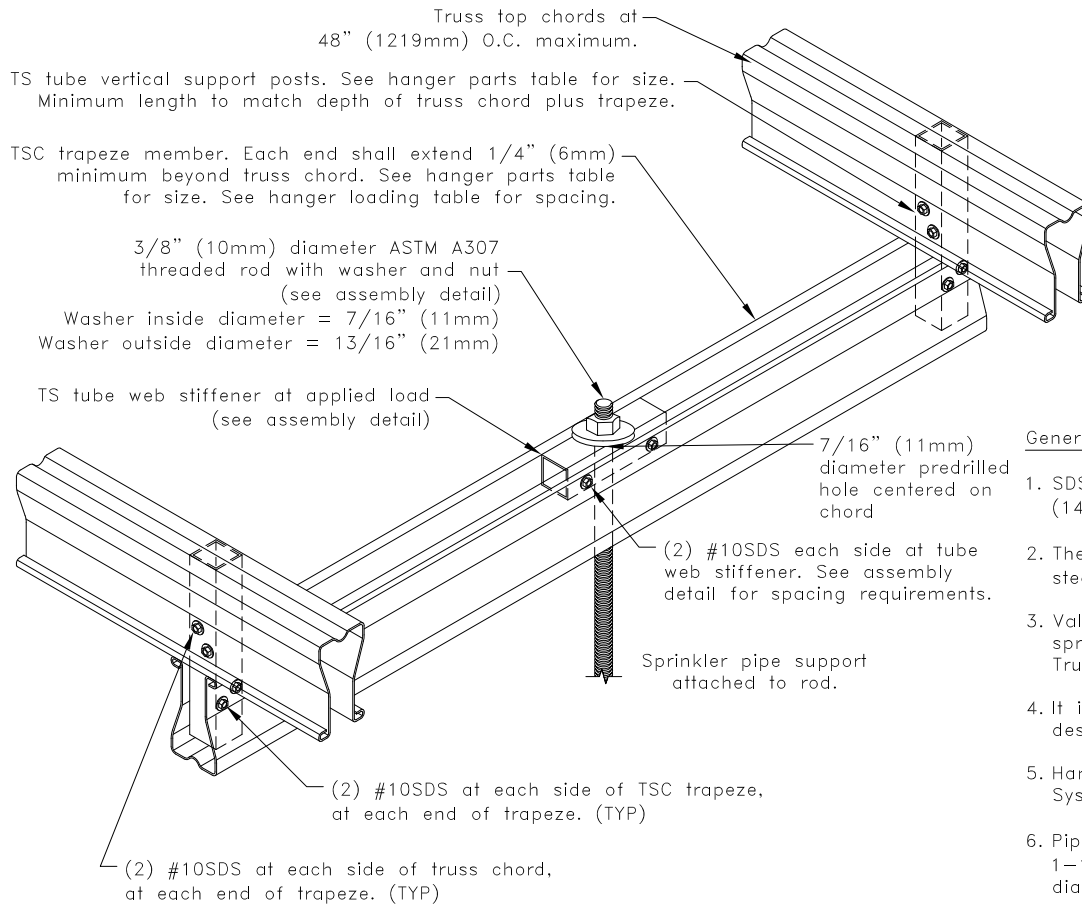
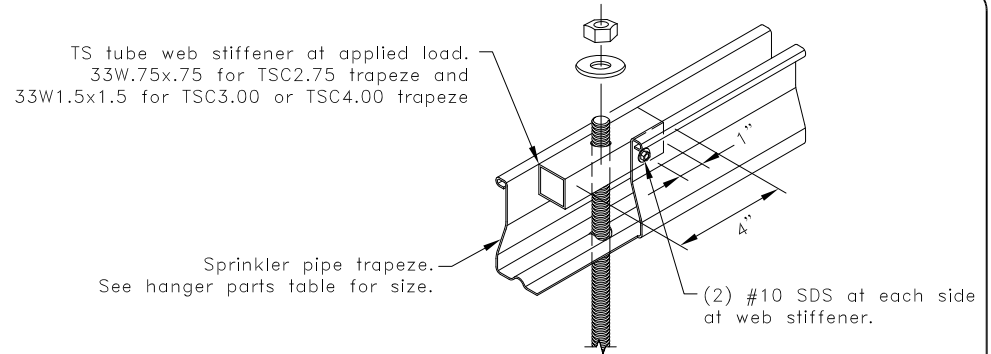


Hanger Parts Table				
Truss Chord Size	Trusses at 24" (610mm) O.C.		Trusses at 48" (1219mm) O.C.	
	Trapeze Member	Support Post	Trapeze Member	Support Post
TSC2.75	28TSC2.75 min.	33W.75x.75	33TSC4.00 min.	33W.75x1.5
TSC3.00 or TSC4.00	28TSC3.00 or 28TSC4.00 min.	33W1.5x1.5	43TSC3.00 or 33TSC4.00 min.	33W1.5x1.5



Note: Hanger rod shall be installed at a minimum of 4in. (102mm) from inside edge of truss bottom chord for TSC2.75 chords and a minimum of 6in. (152mm) for TSC3.00 or TSC4.00 chords.



Hanger Rod Assembly Detail

Note: Multiply above units by 25.4 for millimeters.

Sprinkler Pipe Diameter & Hanger Load		
Sprinkler Pipe Diameter in. (mm)	Maximum Hanger Load lbs. (kN)	Maximum Hanger Spacing ft (mm)
1 (25)	370 (1.65)	12 (3658)
1 1/4 (32)	430 (1.91)	12 (3658)
1 1/2 (38)	520 (2.31)	15 (4572)
2 (51)	630 (2.80)	15 (4572)

General Notes:

- * Values given are based on maximum hanger spacing.
- 1. SDS = self-drilling tapping screw. Screw spacing, end and edge distance is 9/16" (14mm) min.
- 2. The minimum yield strengths of materials are as follows (unless otherwise noted): Tube steel support posts = 45ksi (310 MPa), TrusSteel Chords and Trapeze = 55ksi (379 MPa).
- 3. Values shown are for the sprinkler pipe hanger only. Truss must be properly loaded for sprinkler pipe load. Refer to TrusSteel Technical Bulletin TB00.09.01, "Sprinkler Pipes – Truss Loading & Connections".
- 4. It is the responsibility of the architect or engineer of record to review this hanger design to verify it conforms with the overall sprinkler system support design.
- 5. Hanger loads were determined per NFPA13 "Standard For The Installation Of Sprinkler Systems" and assume schedule 40 steel pipe.
- 6. Pipe hanger spacing shall not exceed 12' (3658mm) for pipes up to and including 1-1/4" (32mm) diameter and 15' (4572mm) for pipes greater than 1-1/4" (32mm) diameter per NFPA13 1999.
- 7. Nut shall be grade A, HEX conforming to ASTM A563 and Washer shall conform to ASTM F436.
- 8. Cold-Formed Steel Calculations are per the 2010 supplement to the AISI 2007 "North American Specifications for the Design of Cold-Formed Steel Structural Members" (S100-07/S2-10).

TrusSteel[®]

www.TrusSteel.com

TSC Sprinkler Trapeze at Top Chord for 2" (51mm) Max. Diameter Pipe

ITW Building Components Group, Inc. shall not be responsible for any performance failure in a connection due to a deviation from this detail. Any variation from this detail shall be approved in advance by ITW Building Components Group, Inc.

Standard Detail:
TS049F

Date:
07/16/12

TrusSteel Detail Category:
Top Chord Sprinkler Hanger

Florida: 1950 Marley Drive / Haines City, FL 33844 / (800) 755-6001
Missouri: 13389 Lakefront Drive / Earth City, MO 63045 / (800) 326-4102