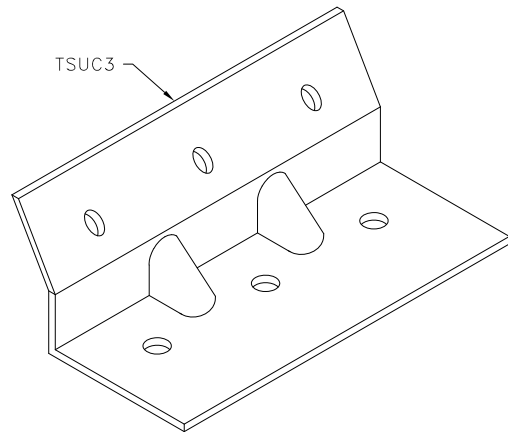
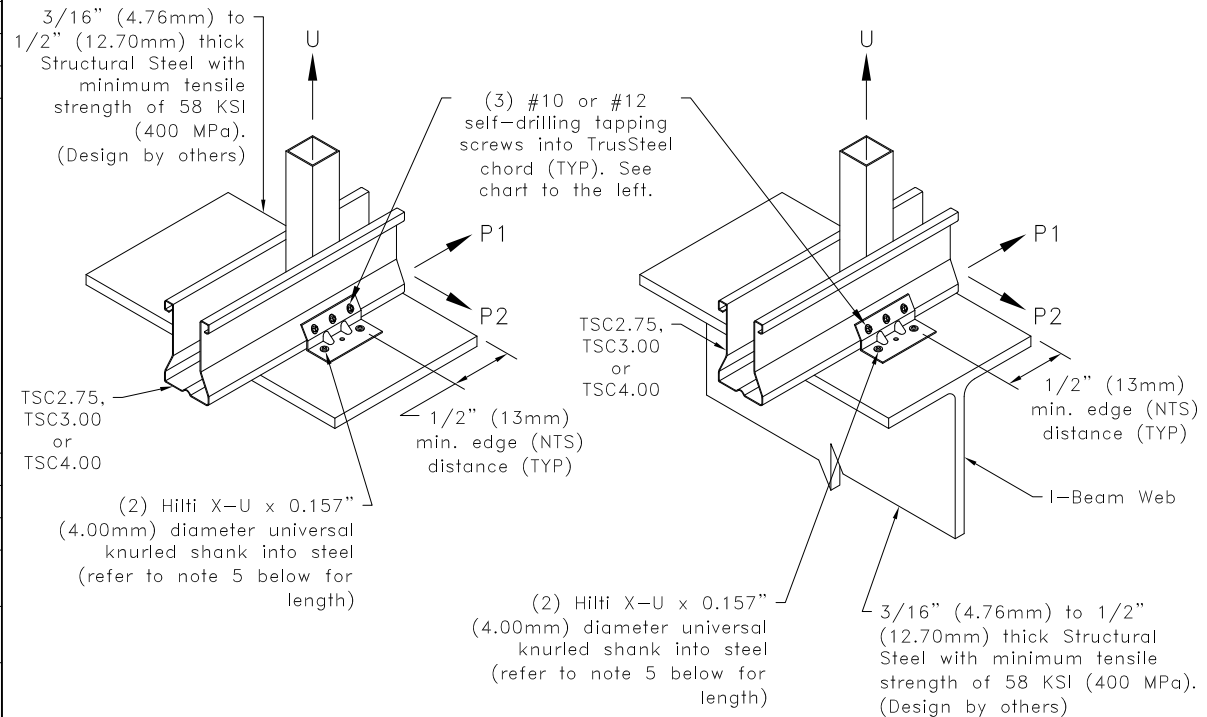


Allowable Loads Ibs (kN)^A

Chord	Clip on one face ^B					
	#10SDS into bottom chord			#12SDS into bottom chord		
	U	P1	P2	U	P1	P2
28TSC2.75	400 (1.78)	620 (2.76)	310 (1.38)	400 (1.78)	660 (2.94)	340 (1.51)
33TSC2.75		720 (3.20)	340 (1.51)		820 (3.65)	
43TSC2.75					1080 (4.80)	
28TSC3.00 or 28TSC4.00	620 (2.76)	310 (1.38)	660 (2.94)			
33TSC3.00 or 33TSC4.00	690 (3.07)	720 (3.20)	340 (1.51)	740 (3.29)	720 (3.20)	
43 & 54TSC3.00, 43, 54, 68 & 97TSC4.00						
Chord	Clip on both faces					
	#10SDS into bottom chord			#12SDS into bottom chord		
	U	P1	P2	U	P1	P2
28TSC	1230 (5.47)		630 (2.80)	1310 (5.83)		710 (3.16)
33TSC	1530 (6.81)	1440 (6.41)	730 (3.25)	1630 (7.25)	1440 (6.41)	830 (3.69)
43, 54, 68 & 97TSC	1630 (7.25)		880 (3.91)			880 (3.91)

A. Allowable loads shown are not in combination.
 B. Uplift connections with clip on one face require a web above connection.



General Notes:

- Attachment of second clip on opposite face of chord is identical to what is detailed.
- Install pins in the two outside holes of TSUC3 clip.
- Pins must be driven through existing holes in TSUC3 clip and be driven perpendicular to steel surface.
- Care must be taken to insure pins are not overdriven. Pins that are overdriven may puncture surface of TSUC3 clip causing damage. If TSUC3 clip is damaged, the values given on this detail are no longer valid.
- Pin length must be long enough to insure the tip either penetrates completely through the steel, or shows evidence of the steel deformation that occurs just before penetration.
- Do not install pins into area of beam flange directly above beam web.
- Allowable Hilti X-U Fastener values into steel bearing are per ICC ESR-2269 (February, 1, 2011). Refer to ICC ESR-2269 (February 1, 2011) regarding proper installation of anchor.
- Cold-Formed Steel Calculations are per the 2010 supplement to the AISI 2007 "North American Specifications for the Design of Cold-Formed Steel Structural Members" (S100-07/S2-10).

TrusSteel[®]

www.TrusSteel.com

Florida: 1950 Marley Drive / Haines City, FL 33844 / (800) 755-6001
 Missouri: 13389 Lakefront Drive / Earth City, MO 63045 / (800) 326-4102

TSUC3 Uplift Attachment To Structural Steel Bearing Using Pins

ITW Building Components Group, Inc. shall not be responsible for any performance failure in a connection due to a deviation from this detail. Any variation from this detail shall be approved in advance by ITW Building Components Group, Inc.

Standard Detail:

TS039

Date:

07/16/12

TrusSteel Detail Category:

Truss-To-Bearing: Structural Steel