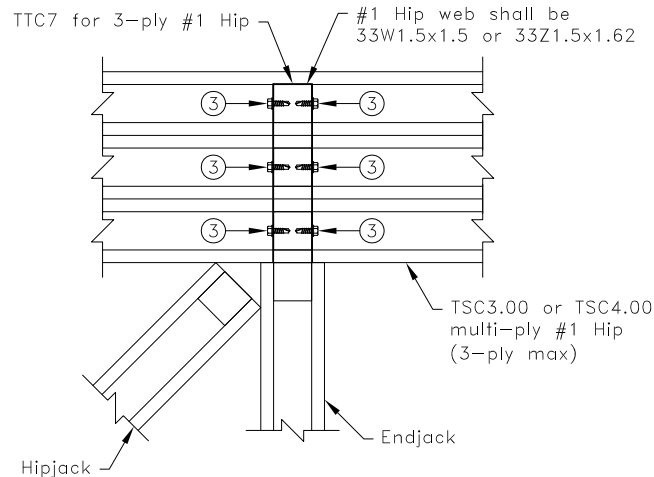
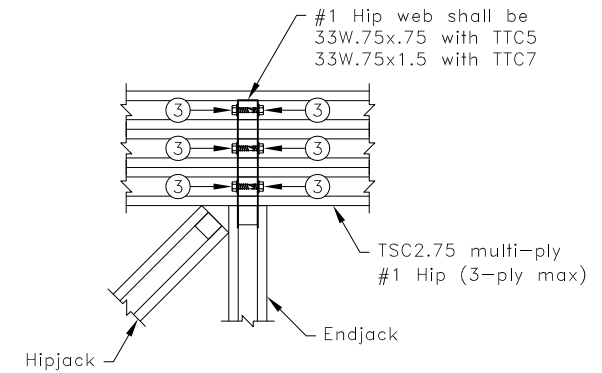


Multi-ply #1 Hip using steel plates for ply to ply connections

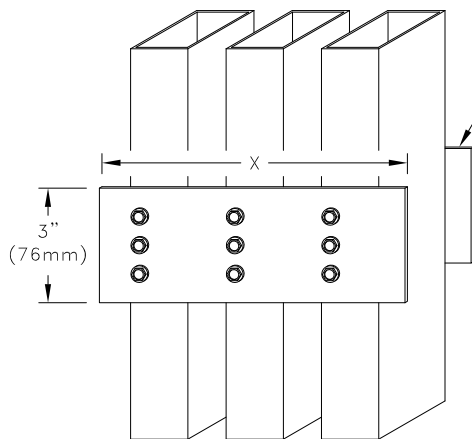


Multi-ply TSC3.00 or TSC4.00 #1 Hip using TTC7 clips for ply to ply connections



Multi-ply TSC2.75 #1 Hip using TTC5 or TTC7 for ply to ply connections

(A) = ASTM A653 SS Grade 33 G60 steel plate on each face
Bare Metal Thickness = 0.0329" (.83mm)



Steel Plate (Typ.)
Placed within 1" (25mm) of each supported truss to girder connection

Plate Dimensions:

- X = 3.5" (89mm) for 2-ply TSC2.75 #1 Hip
- X = 6.0" (152mm) for 2-ply TSC3.00 #1 Hip
- X = 6.0" (152mm) for 2-ply TSC4.00 #1 Hip
- X = 5.0" (127mm) for 3-ply TSC2.75 #1 Hip
- X = 8.0" (203mm) for 3-ply TSC3.00 #1 Hip
- X = 8.0" (203mm) for 3-ply TSC4.00 #1 Hip

General Notes:

1. Attachment of supported trusses to #1 Hip must be per TS025 or TS025A. Reference these TrusSteel Standard Details for allowable supported truss reactions, uplifts and connection requirements.
2. The top and bottom chords of all trusses shall be properly connected to structural sheathing or purlins.
3. All edge distances, end distance and spacing are 9/16" (14mm) minimum.
4. Circled numbers represent quantity of #10 self-drilling tapping screws per clip.
5. Truss must be analyzed with concentrated loads directly in line with correctly placed girder vertical webs. Reference details TS025 & TS025A for correct web placement information.
6. Clips/plate pairs must be placed within 1" (25mm) of each supported truss to girder connection.
7. Refer to approved truss drawings for other connections between plies.
8. Cold-Formed Steel Calculations are per the 2010 supplement to the AISI 2007 "North American Specifications for the Design of Cold-Formed Steel Structural Members" (S100-07/S2-10).

TrusSteel[®]

www.TrusSteel.com

**Multi-ply #1 Hips -
Ply To Ply Connection Detail**

ITW Building Components Group, Inc. shall not be responsible for any performance failure in a connection due to a deviation from this detail. Any variation from this detail shall be approved in advance by ITW Building Components Group, Inc.

Standard Detail:

TS025D

Date:

07/16/12

TrusSteel Detail Category:

Ply-to-Ply Connections

Florida: 1950 Marley Drive / Haines City, FL 33844 / (800) 755-6001
Missouri: 13389 Lakefront Drive / Earth City, MO 63045 / (800) 326-4102