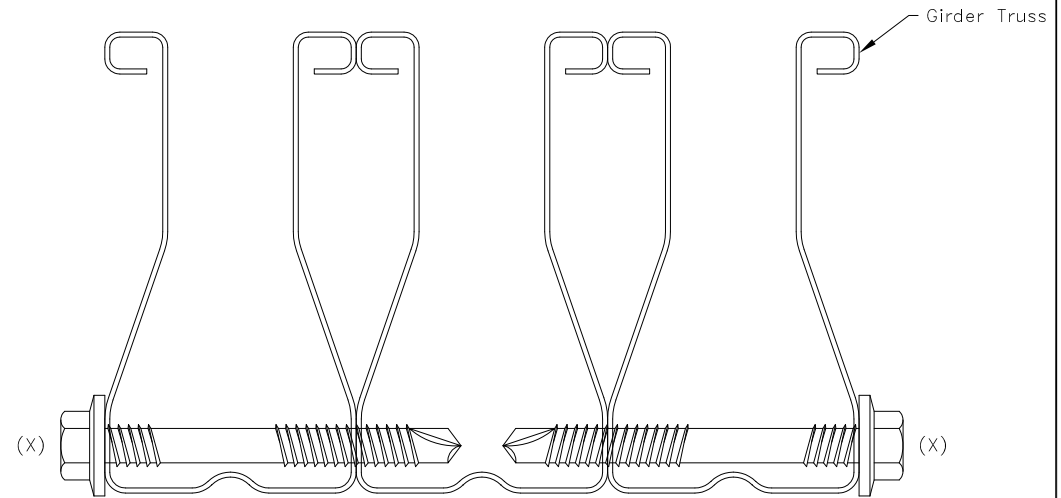


TSC2.75 2-Ply Connection



TSC2.75 3-Ply Connection

X Denotes Number Of Fasteners To Be Applied At Each Hanger Location			
X = Number of required fasteners	Maximum Reaction R and Uplift U from Supported Truss lbs (kN)		
	For 28TSC girder truss	For 33TSC girder truss	For 43TSC girder truss
1	350 (1.56)	440 (1.96)	650 (2.89)
2	700 (3.11)	880 (3.91)	1310 (5.83)
3	1060 (4.72)	1320 (5.87)	1360 (6.05)
4	1360 (6.05)	1360 (6.05)	

General Notes:

1. If more than one fastener is required, spacing and end distance of fasteners = 3/4" (19mm).
2. Fastener connection shown to be applied within 12" (305mm) of the supported truss.
3. Fastener(s) shall not be located at a panel point.
4. Fasteners(X) = 14AMDB2.125
5. Cold-Formed Steel Calculations are per the 2010 supplement to the AISI 2007 "North American Specifications for the Design of Cold-Formed Steel Structural Members" (S100-07/S2-10).

TrusSteel[®]

www.TrusSteel.com

Florida: 1950 Marley Drive / Haines City, FL 33844 / (800) 755-6001
 Missouri: 13389 Lakefront Drive / Earth City, MO 63045 / (800) 326-4102

**TSC2.75 Ply-To-Ply
 Connection When Hangers
 Are Used To Support Trusses**

ITW Building Components Group, Inc. shall not be responsible for any performance failure in a connection due to a deviation from this detail. Any variation from this detail shall be approved in advance by ITW Building Components Group, Inc.

Standard Detail:
 TS023

Date:
 07/16/12

TrusSteel Detail Category:
 Ply-To-Ply Connections