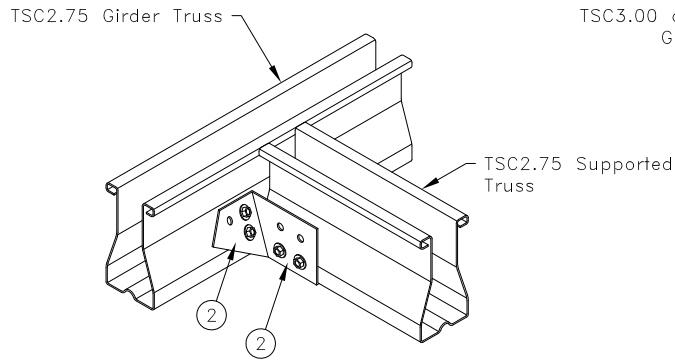
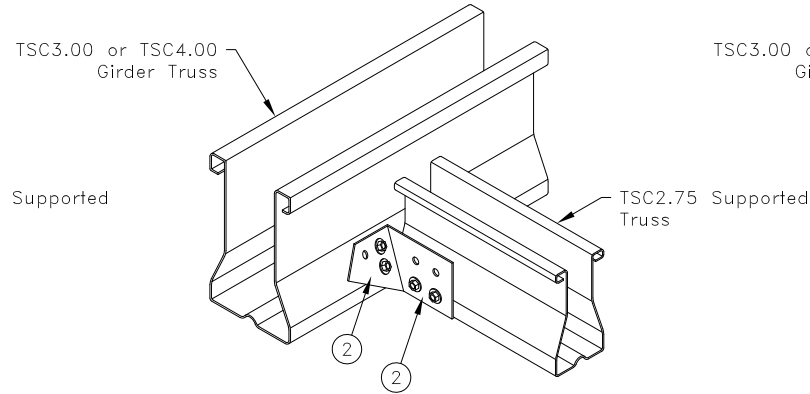


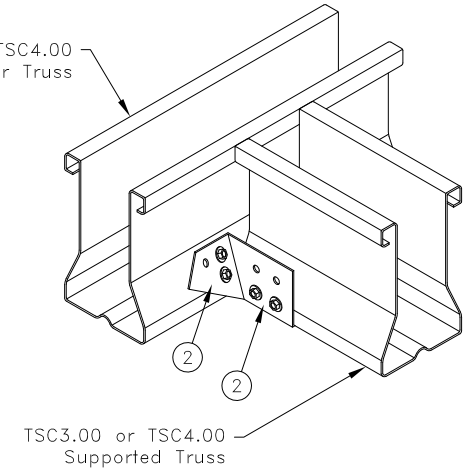
TSJH22



TSJH24



TSJH44



TSJH22 Allowable Loads Up and Down lbs (kN)			
Load Direction	Girder Truss		
	28TSC 22ga	33TSC 20ga	43TSC 18ga
Down	370 (1.65)	460 (2.05)	630 (2.80)
Up - Gravity & Wind	340 (1.51)	380 (1.69)	410 (1.82)

TSJH24 And TSJH44 Allowable Loads Up and Down lbs (kN)						
Load Direction	Girder Truss					
	28TSC 22ga	33TSC 20ga	43TSC 18ga	54TSC 16ga	68TSC 14ga	97TSC 12ga
Down	370 (1.65)	460 (2.05)	630 (2.80)	630 (2.80)	630 (2.80)	630 (2.80)
Up - Gravity & Wind	340 (1.51)	380 (1.69)	410 (1.82)	410 (1.82)	410 (1.82)	410 (1.82)

General Notes:

1. Circled numbers represent the quantity of #10 self-drilling tapping screws applied through the pre-drilled holes in hanger into the TrusSteel chord. The same quantity of screws is to be applied on the side of the hanger that is not visible.
2. Screws must be located in the holes as shown in the figures above. Screws shall not be placed differently than shown above.
3. Do not overdrive screws. Overdriven screws may strip out of TrusSteel chord.
4. Hangers may be located anywhere along girder chords.
5. Refer to TrusSteel detail drawings TS023, TS024 or TS024A for ply-to-ply connections for multiple member girders.
6. Cold-Formed Steel Calculations are per the 2010 supplement to the AISI 2007 "North American Specifications for the Design of Cold-Formed Steel Structural Members" (S100-07/S2-10).



www.TrusSteel.com

Florida: 1950 Marley Drive / Haines City, FL 33844 / (800) 755-6001  
 Missouri: 13389 Lakefront Drive / Earth City, MO 63045 / (800) 326-4102

**TSJH22, TSJH24 And TSJH44  
 Hanger Application With  
 Reduced Screw Quantities**

ITW Building Components Group, Inc. shall not be responsible for any performance failure in a connection due to a deviation from this detail. Any variation from this detail shall be approved in advance by ITW Building Components Group, Inc.

**Standard Detail:**  
 TS022A

**Date:**  
 07/16/12

**TrusSteel Detail Category:**  
 Truss-To-Truss Connections