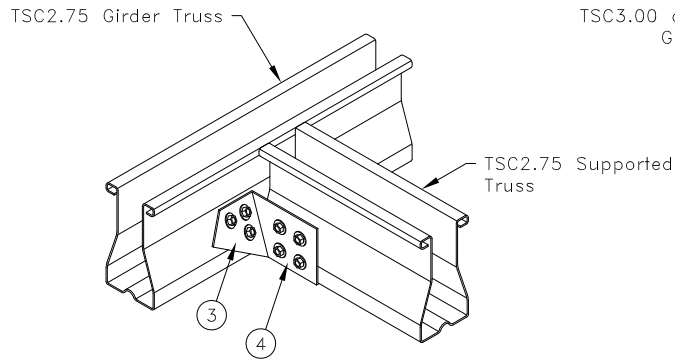
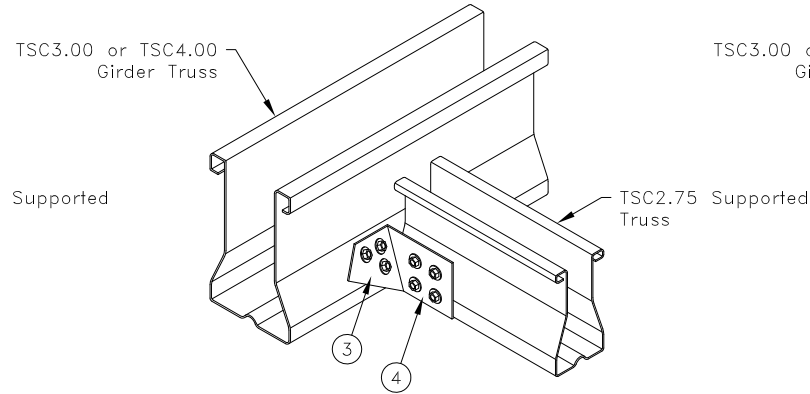


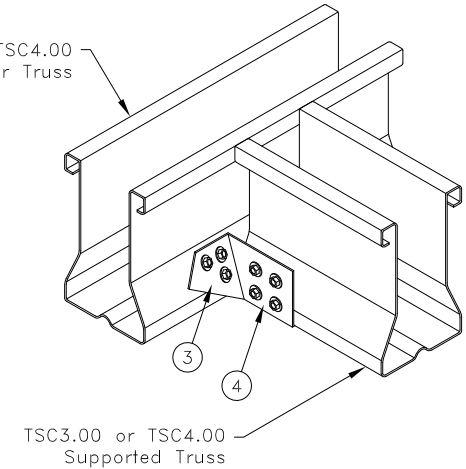
TSJH22



TSJH24



TSJH44



| TSJH22 Allowable Loads Up and Down lbs (kN) |               |               |               |
|---|---------------|---------------|---------------|
| Load Direction                              | Girder Truss  |               |               |
|   | 28TSC<br>22ga | 33TSC<br>20ga | 43TSC<br>18ga |
| Down  | 730 (3.25)    | 910 (4.05)    | 1360 (6.05)   |
| Up – Gravity & Wind                         | 670 (2.98)    | 760 (3.38)    | 1000 (4.45)   |

| TSJH24 And TSJH44 Allowable Loads Up and Down lbs (kN) |               |               |               |               |               |               |
|--|---------------|---------------|---------------|---------------|---------------|---------------|
| Load Direction   | Girder Truss  |               |               |               |               |               |
|  | 28TSC<br>22ga | 33TSC<br>20ga | 43TSC<br>18ga | 54TSC<br>16ga | 68TSC<br>14ga | 97TSC<br>12ga |
| Down   | 1090 (4.85)   | 1130 (5.03)   | 1330 (5.92)   | 1340 (5.96)   | 1340 (5.96)   | 1340 (5.96)   |
| Up – Gravity & Wind                                    | 550 (2.45)    | 770 (3.43)    | 990 (4.40)    | 1200 (5.34)   | 1200 (5.34)   | 1200 (5.34)   |

General Notes:

1. Circled numbers represent the quantity of #10 self-drilling tapping screws applied through the pre-drilled holes in hanger into the TrusSteel chord. The same quantity of screws is to be applied on the side of the hanger that is not visible.
2. Do not overdrive screws. Overdriven screws may strip out of TrusSteel chord.
3. Hangers may be located anywhere along girder chords.
4. Refer to TrusSteel detail drawings TS023, TS024 or TS024A for ply-to-ply connections for multiple member girders.
5. Cold-Formed Steel Calculations are per the 2010 supplement to the AISI 2007 "North American Specifications for the Design of Cold-Formed Steel Structural Members" (S100-07/S2-10).

**TrusSteel**<sup>®</sup>

www.TrusSteel.com

Florida: 1950 Marley Drive / Haines City, FL 33844 / (800) 755-6001  
 Missouri: 13389 Lakefront Drive / Earth City, MO 63045 / (800) 326-4102

TSJH22, TSJH24 And TSJH44  
 Hanger Application

ITW Building Components Group, Inc. shall not be responsible for any performance failure in a connection due to a deviation from this detail. Any variation from this detail shall be approved in advance by ITW Building Components Group, Inc.

**Standard Detail:**

TS022

**Date:**

07/16/12

**TrusSteel Detail Category:**

Truss-To-Truss Connections