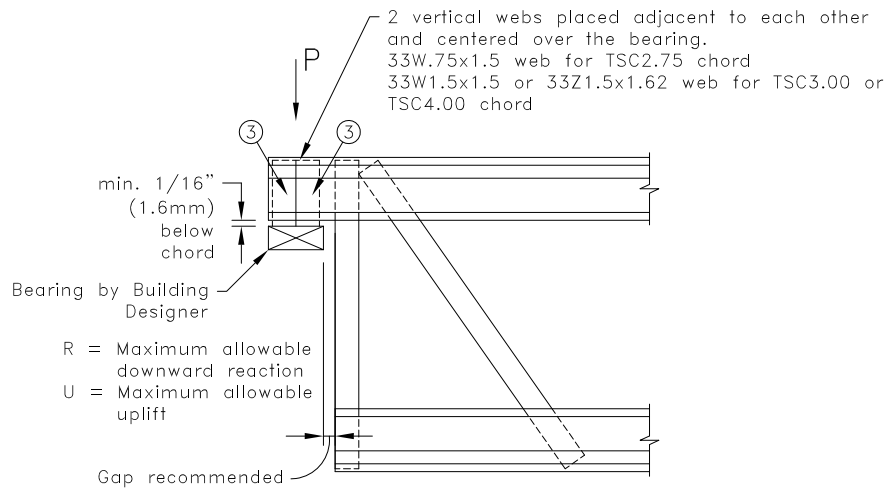


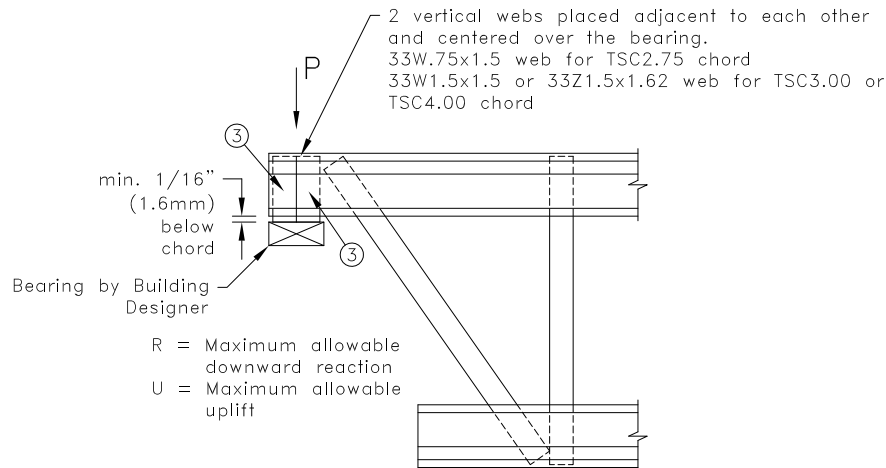
Detail A

With End Vertical Web



Detail B

No End Vertical Web



Allowable Loads

Chord	P lbs. (kN)	R lbs. (kN)
28TSC2.75	2510 (11.17)	3530 (15.70)
33TSC2.75	2770 (12.32)	3530 (15.70)
43TSC2.75	3530 (15.70)	3530 (15.70)
28TSC3.00 or 28TSC4.00	3730 (16.59)	3730 (16.59)
33TSC3.00 or 33TSC4.00	4140 (18.42)	4420 (19.66)
43TSC3.00 or 43TSC4.00	4140 (18.42)	4540 (20.19)
54TSC3.00 or 54TSC4.00	4540 (20.19)	4540 (20.19)
68TSC4.00	4540 (20.19)	4540 (20.19)
97TSC4.00	4540 (20.19)	4540 (20.19)

If uplift is present, a separate design must be used for connection of top chord to bearing, where maximum allowable uplift cannot exceed R given in the Allowable Loads Table above.

P = Maximum allowable concentrated load on truss over bearing.

R = Maximum allowable downward reaction including any load applied over the bearing.

U = Maximum allowable uplift.

General Notes:

- Top chord over the bearing shall be reinforced by two webs placed vertically inside it as shown in Details A and B. Length of web reinforcement shall be 2-5/8" (67mm) min / 4-1/4" (108mm) max for TSC2.75 and 3-7/8" (98mm) min / 8" (203mm) max for TSC3.00 or TSC4.00 chords. Care must be taken to ensure that the bottom of vertical reinforcing webs are square with the bearing surface.
- If uplift is present, a separate design must be used for connection of top chord to bearing, where maximum allowable uplift cannot exceed R given in the Allowable Loads Table above.
- Circled numbers refer to the number of 14AMD fasteners required: For 28TSC, 33TSC, 43TSC and 54TSC top chords, use 14AMDB1.25 fasteners for TSC2.75 or 14AMDB2.125 fasteners for TSC3.00 or TSC4.00. For 68TSC4.00 and 97TSC4.00 top chords, use 14AMDR2.375 fasteners.
- In the design of bearing, Building Designer must account for crushing of bearing surface in the area of the reinforcing webs.
- For multi-story construction, total vertical deflection of the walls must be considered carefully by the Building Designer. The maximum vertical deflections for the connections shown are 1/8" (3.2mm) when the maximum load "P" is applied. If this deflection is not acceptable, load transfer blocking or other methods must be provided by the Building Designer to transfer vertical load directly down to the bearing.
- Cold-Formed Steel Calculations are per the 2010 supplement to the AISI 2007 "North American Specifications for the Design of Cold-Formed Steel Structural Members" (S100-07/S2-10).

TrusSteel®

www.TrusSteel.com

Florida: 1950 Marley Drive / Haines City, FL 33844 / (800) 755-6001
 Missouri: 13389 Lakefront Drive / Earth City, MO 63045 / (800) 326-4102

Top Chord Bearing Conditions with No Bottom Chord Seat

ITW Building Components Group, Inc. shall not be responsible for any performance failure in a connection due to a deviation from this detail. Any variation from this detail shall be approved in advance by ITW Building Components Group, Inc.

Standard Detail:

TS020

Date:

07/16/12

TrusSteel Detail Category:

Top Chord Bearing