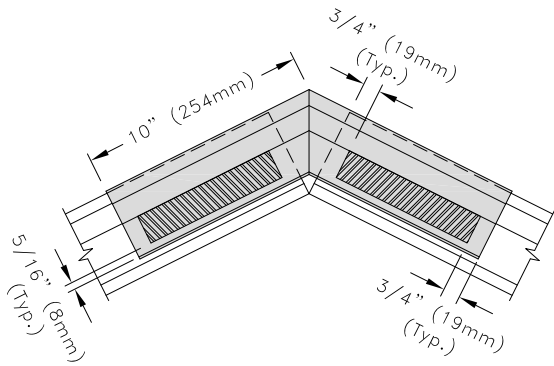
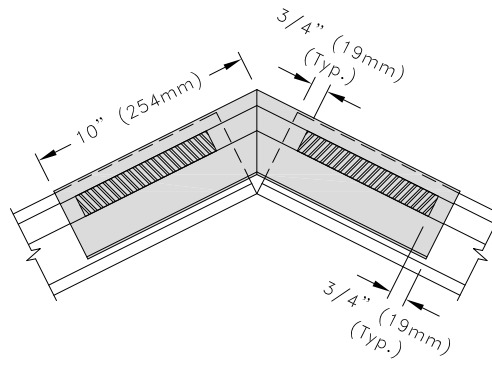


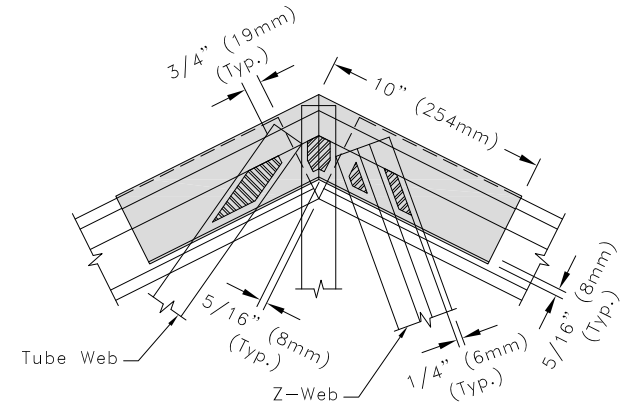
Top Chord Pitch Break



Fasteners Through The Flat Chord Area

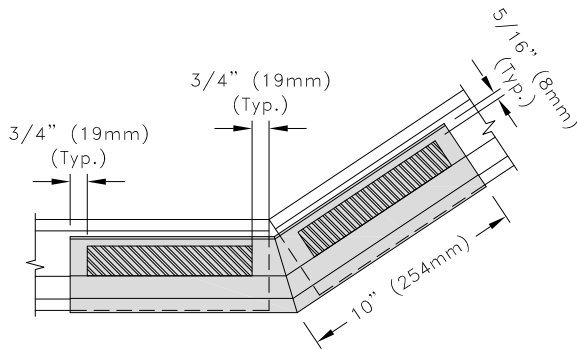


Fasteners Through The Slanted Chord Area

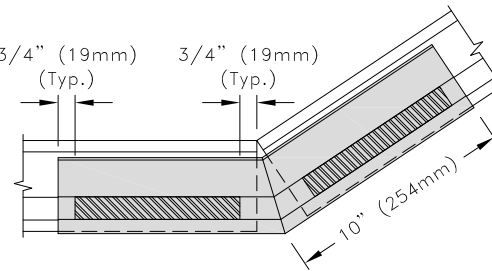


Fasteners Through The Web Area

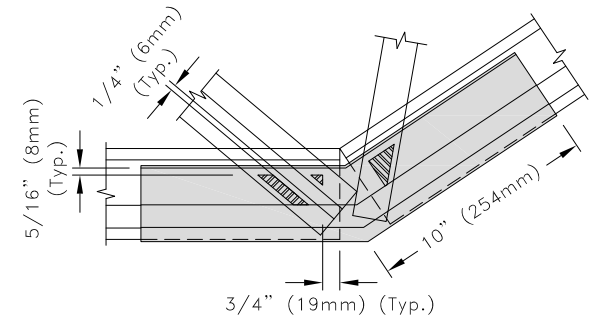
Bottom Chord Pitch Break



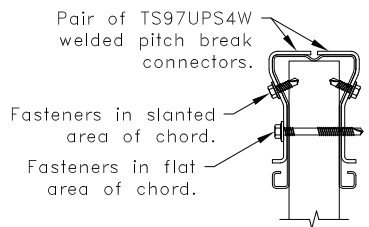
Fasteners Through The Flat Chord Area



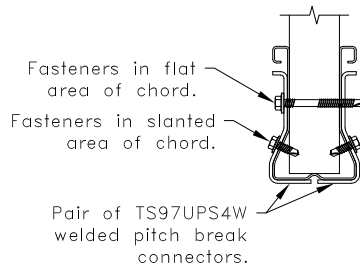
Fasteners Through The Slanted Chord Area



Fasteners Through The Web Area




Section View
Top Chord Pitch Break



Section View
Bottom Chord Pitch Break

General Notes:

1. Fastener spacing and end distance is 3/4" (19mm) minimum, except as shown.
2. Refer to approved truss drawings for required fastener type and quantities for each fastener contact area.
3. Fastener contact areas that coincide with other contact areas may use a common fastener for both areas. This will result in a reduction in the total number of fasteners required at the pitch break joint.
4.  = Fastener contact area.

TrusSteel[®]

www.TrusSteel.com

Florida: 1950 Marley Drive / Haines City, FL 33844 / (800) 755-6001
Missouri: 13389 Lakefront Drive / Earth City, MO 63045 / (800) 326-4102

TSC4.00
Welded Pitch Break Connector
Fastener Areas

ITW Building Components Group, Inc. shall not be responsible for any performance failure in a connection due to a deviation from this detail. Any variation from this detail shall be approved in advance by ITW Building Components Group, Inc.

Standard Detail:

TS016D

Date:

07/16/12

TrusSteel Detail Category:

Pitch Break Connections