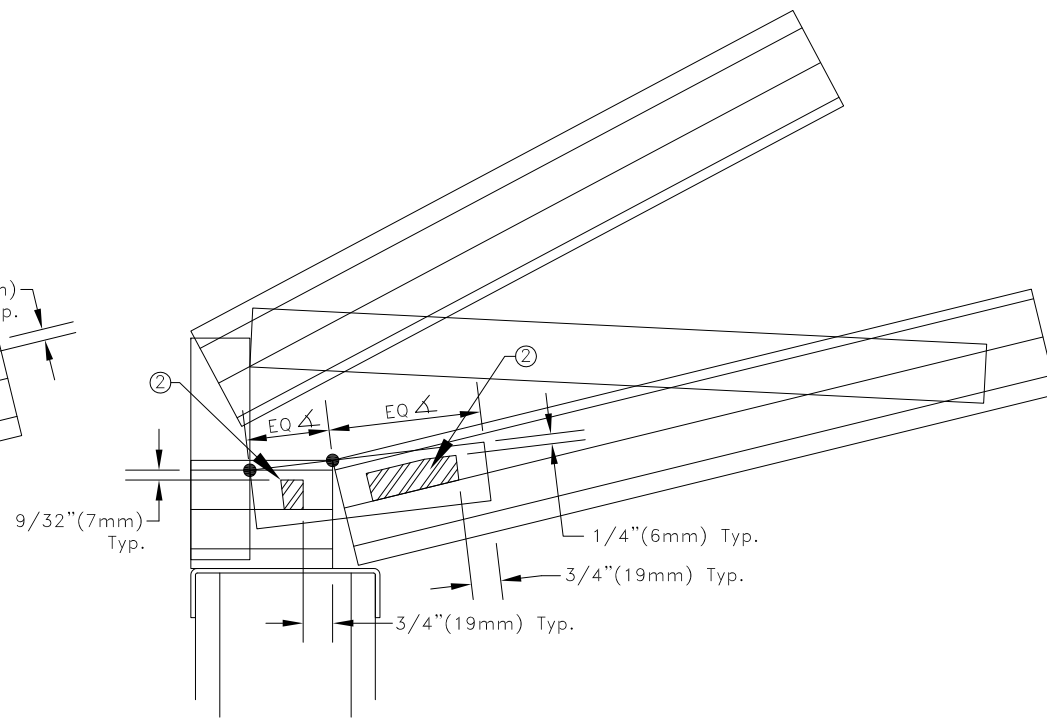


Fasteners Through The Web Area
Centered Seat Cut Tube and Fastener Placement
Tube Size: 33W.75x1.5x6"(152mm)



Fasteners Through The Web Area
Off-Center Seat Cut Tube and Fastener Placement
Tube Size: 33W.75x1.5x6"(152mm)

General Notes:

1. Circled number represents minimum number of fasteners. Refer to approved truss drawings for fastener size.
2. Fastener spacing is 1-1/4" (32mm) and end distance is 3/4" (19mm) minimum, except as shown.
3. = Fastener contact area.
4. ● = Contact point between Seat Cut Tube and Chord/Web.
5. \triangle = Angle between top of bottom chord and top of Seat Cut Tube.

TrusSteel[®]

www.TrusSteel.com

Florida: 1950 Marley Drive / Haines City, FL 33844 / (800) 755-6001
Missouri: 13389 Lakefront Drive / Earth City, MO 63045 / (800) 326-4102

TSC2.75
Seat Cut Tube Pitch Break
Connector

ITW Building Components Group, Inc. shall not be responsible for any performance failure in a connection due to a deviation from this detail. Any variation from this detail shall be approved in advance by ITW Building Components Group, Inc.

Standard Detail:
TS004E

Date:
07/16/12

TrusSteel Detail Category:
Pitch Break Connections