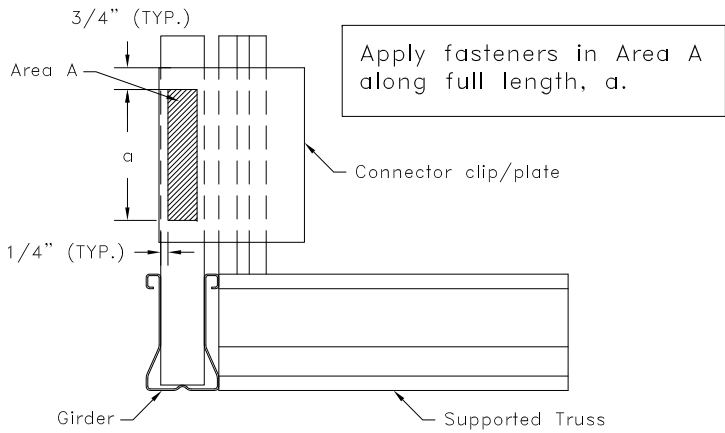
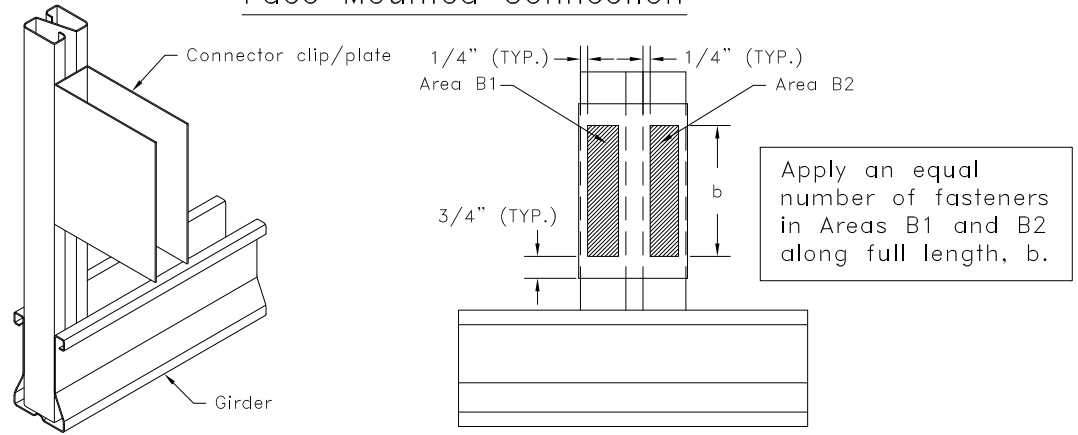


Connection of Clip to Girder Web

Side Mounted Connection

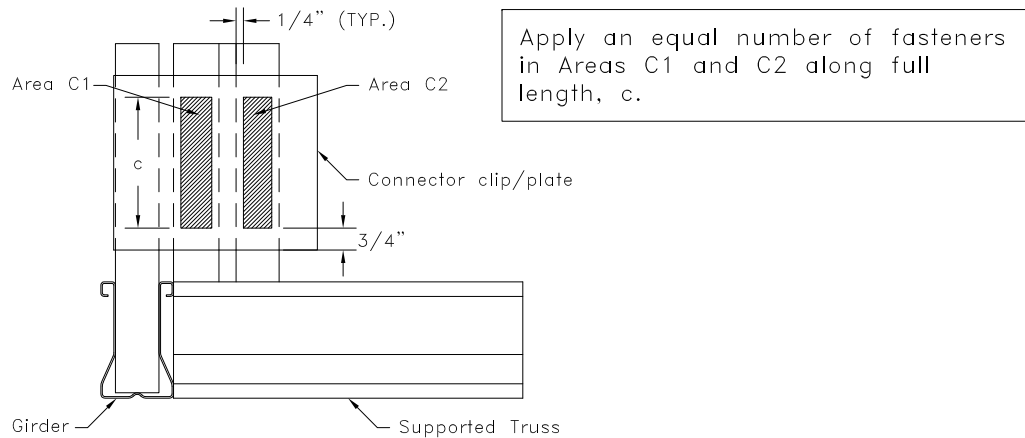


Face Mounted Connection



Connection of Clip to Supported Truss Web

Clip to Web Face



General Notes:

1. Refer to approved truss drawings for supported truss and girder information.
2. For millimeters, multiply distance in inches by 25.4.

TrusSteel[®]

www.TrusSteel.com

Florida: 1950 Marley Drive / Haines City, FL 33844 / (800) 755-6001
 Missouri: 13389 Lakefront Drive / Earth City, MO 63045 / (800) 326-4102

**Connection Areas for
Clip/Plate to Z-webs**

ITW Building Components Group, Inc. shall not be responsible for any performance failure in a connection due to a deviation from this detail. Any variation from this detail shall be approved in advance by ITW Building Components Group, Inc.

Standard Detail:

TS068

Date:

07/16/12

TrusSteel Detail Category:

Truss-to-Truss Connections