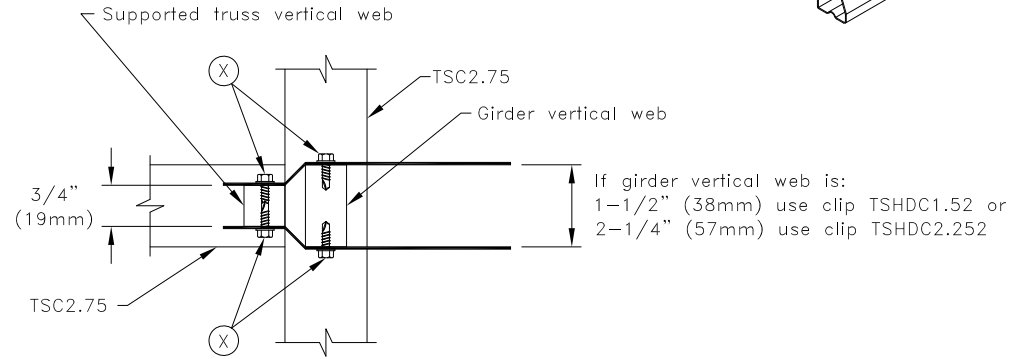
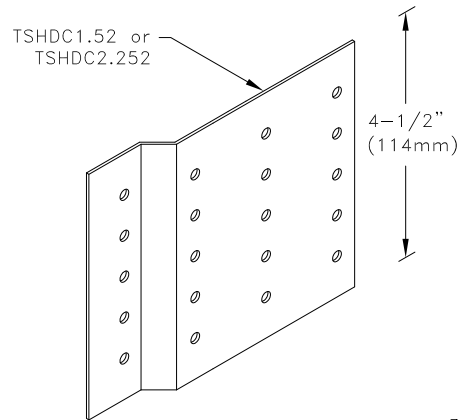


$R = R_1 + R_2$
 $U = U_1 + U_2$

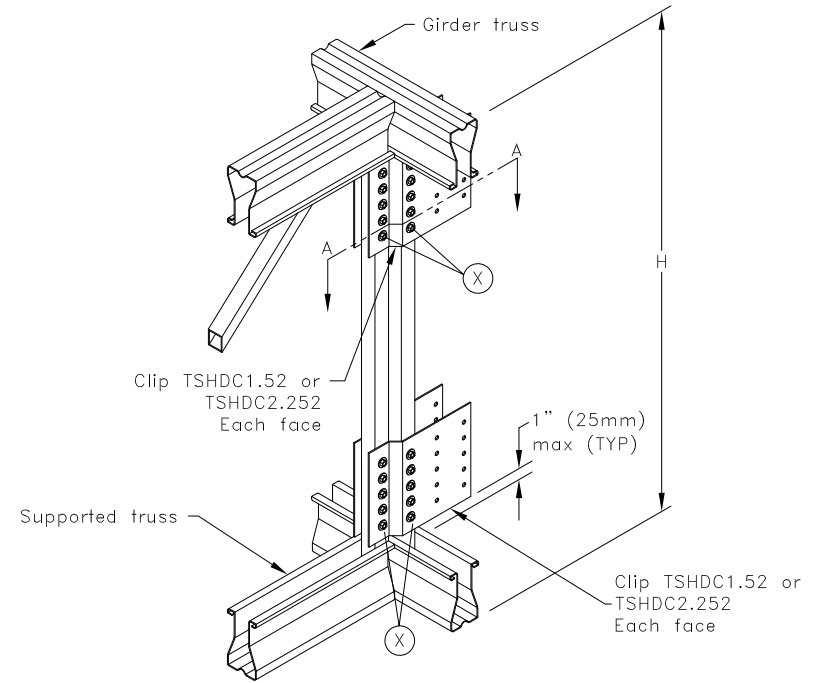
Typical Supported Truss to Girder Connection

Allowable Reaction and Uplift lbs (kN)	
X ^A	H = 24 in. (610mm) minimum
	R = U lbs (kN)
4	3300 (14.58)
5	3500 (15.57)

A. The quantity "X" refers to the number of #10SDS (Self-Drilling Tapping Screws) that are required on each side of each clip into the web member.



Section A-A



General Notes:

1. The top and bottom chords of all trusses shall be properly connected to structural sheathing or purlins, designed by others.
2. Screw spacing, edge distance and end distance is 9/16" (14mm) minimum.
3. The supported truss must be designed utilizing a clip bearing type.
4. R = Allowable Reaction and U = Allowable Uplift, at each clip location.
5. Cold-Formed Steel Calculations are per the 2010 supplement to the AISI 2007 "North American Specifications for the Design of Cold-Formed Steel Structural Members" (S100-07/S2-10).

TrusSteel[®]

www.TrusSteel.com

**Heavy TSC2.75
Truss-To-Truss Connection
(1 Ply Girder)**

ITW Building Components Group, Inc. shall not be responsible for any performance failure in a connection due to a deviation from this detail. Any variation from this detail shall be approved in advance by ITW Building Components Group, Inc.

Standard Detail:
TS059

Date:
07/16/12

TrusSteel Detail Category:
Truss-To-Truss Connections

Florida: 1950 Marley Drive / Haines City, FL 33844 / (800) 755-6001
Missouri: 13389 Lakefront Drive / Earth City, MO 63045 / (800) 326-4102