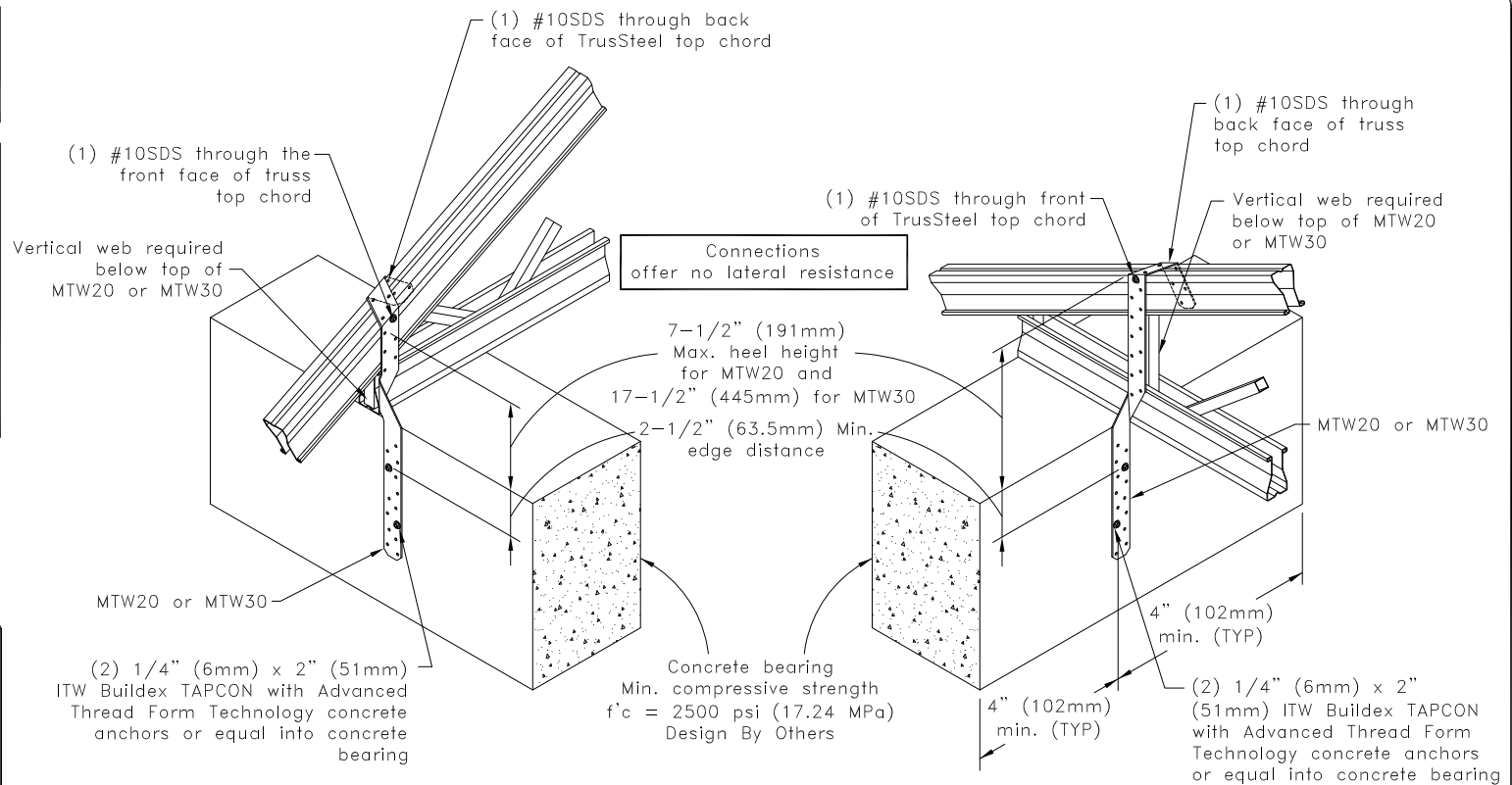
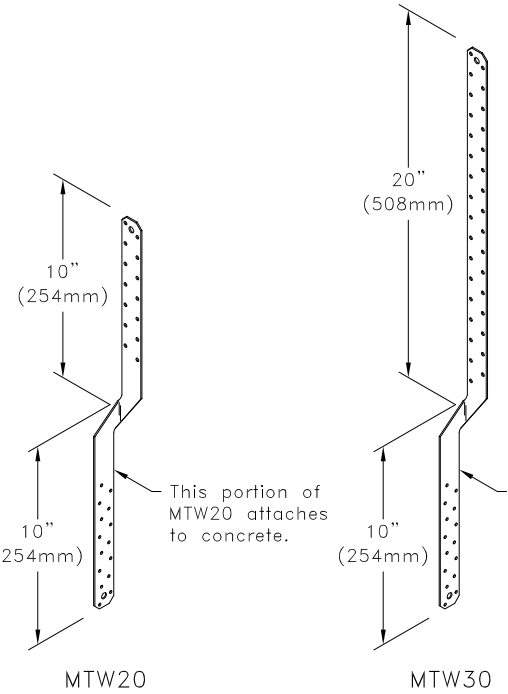


Contact a TrusSteel engineer if the approved truss drawing has been analyzed with a bearing under the bottom chord. Resisting uplift at the top chord of the truss changes the truss analysis.

Allowable Uplift lbs (kN) ^A		
Top Chord	MTW on one face	MTW on both faces
28TSC	400 (1.79)	800 (3.56)
33TSC	510 (2.27)	1020 (4.54)
43TSC	760 (3.38)	1520 (6.76)
54TSC		
68TSC	790 (3.51)	1580 (7.03)
97TSC		

A. Per ICC ESR-2202 (May 1, 2009), the design values given above are for uncracked concrete only, and special inspection is required.



General Notes:

1. SDS = self-drilling tapping screw. #10SDS end distance, edge distance and spacing is 9/16" (14mm) minimum.
2. TAPCON shear values into concrete are per ICC ESR-2202 (May 1, 2009). Refer to ICC ESR-2202 regarding proper installation of anchor and requirements of special inspection.
3. TAPCON concrete minimum anchor spacing is 4" (102mm). Minimum edge distance is 2-1/2" (63.5mm).
4. TAPCON concrete anchor shall not be installed until concrete has reached the specified design strength.
5. Attachment of second MTW on opposite face of chord is identical to that detailed above, and applied to same face of wall.
6. Truss shall be designed with at least one vertical web over the bearing.
7. Cold-Formed Steel Calculations are per the 2010 supplement to the AISI 2007 "North American Specifications for the Design of Cold-Formed Steel Structural Members" (S100-07/S2-10).

TrusSteel[®]
www.TrusSteel.com

**ITWBCG MTW20 & MTW30
Uplift Attachment Over Top Of
Truss Into Face Of Concrete Bearing**

Standard Detail:
TS058
Date:
07/16/12

Florida: 1950 Marley Drive / Haines City, FL 33844 / (800) 755-6001
Missouri: 13389 Lakefront Drive / Earth City, MO 63045 / (800) 326-4102

ITW Building Components Group, Inc. shall not be responsible for any performance failure in a connection due to a deviation from this detail. Any variation from this detail shall be approved in advance by ITW Building Components Group, Inc.

TrusSteel Detail Category:
Truss-To-Bearing: Concrete