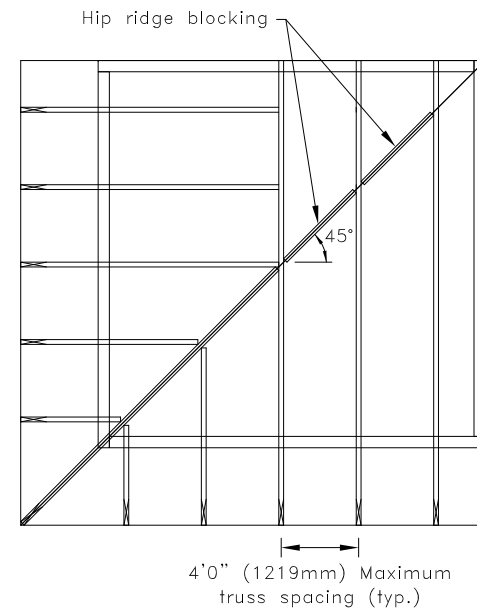


Top chord live load – 40 PSF (1.92 kN/m<sup>2</sup>) maximum  
 Top chord dead load – 15 PSF (0.72 kN/m<sup>2</sup>) maximum  
 Wind loading:

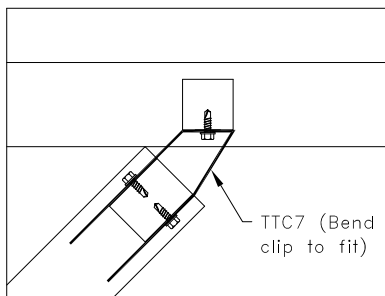
- ASCE 7-05 – 140 mph (58 m/s) maximum wind speed
- ASCE 7-10 – 180 mph (80 m/s) maximum wind speed
- Building exposure B or C
- Building category II
- Mean roof height is 50 ft. (15240mm) maximum
- No topographic effect from escarpment or hill taken into account ( $k_{zt} = 1.0$ )
- Enclosed building



Partial Roof Layout

General Notes:

1. SDS = self-drilling tapping screw.
2. Screw spacing, edge distance and end distance is 9/16" (14mm) minimum for #10SDS and 3/4" (19mm) minimum for #14AMDB1.25 fasteners.
3. Hip ridge blocking designed to support vertical load only (from gravity load and wind load). If blocking needs to support any other type of load, contact a TrusSteel engineer.
4. This detail may be used for roof pitches from 2.2/12 (10°) to 12/12 (45°).
5. Equal screws must be placed in flat areas for Z-webs. Refer to TS011A and TS068 for fastener contact areas.
6. Cold-Formed Steel Calculations are per the 2010 supplement to the AISI 2007 "North American Specifications for the Design of Cold-Formed Steel Structural Members" (S100-07/S2-10).



Plan View of Connection

**TrusSteel**<sup>®</sup>

www.TrusSteel.com

Florida: 1950 Marley Drive / Haines City, FL 33844 / (800) 755-6001  
 Missouri: 13389 Lakefront Drive / Earth City, MO 63045 / (800) 326-4102

**Hip Ridge Blocking  
 Framing Detail For  
 48" (1219mm) O.C. Trusses**

ITW Building Components Group, Inc. shall not be responsible for any performance failure in a connection due to a deviation from this detail. Any variation from this detail shall be approved in advance by ITW Building Components Group, Inc.

**Standard Detail:**

TS056A

**Date:**

07/16/12

**TrusSteel Detail Category:**

Hip Framing