

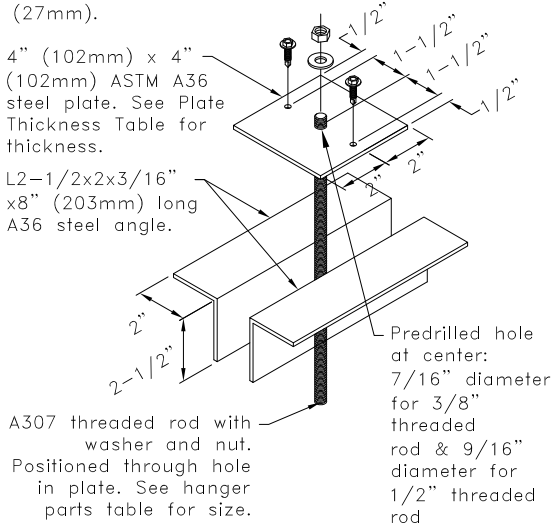
SPRINKLER PIPE DIAMETERS AND HANGER LOADS <sup>A</sup>	
Max. Sprinkler Pipe Diameter, in. (mm)	Max. Hanger Load lbs (kN)
2 (51)	640 (2.85)
4 (102)	1480 (6.58)
6 (152)	2630 (11.70)
8 (203)	4060 (18.06)

(A) Values given are for maximum hanger spacing of 15' (4572mm)

Plate Thickness Table <sup>B</sup>		
Max. Sprinkler Pipe Diameter, in. (mm)	Threaded Rod Diameter in. (mm) <sup>C</sup>	ASTM A36 Plate Thickness in. (mm)
2 (51)	3/8 (10)	3/16 (5)
4 (102)	3/8 (10)	1/4 (6)
6 (152)	1/2 (13)	5/16 (8)
8 (203)	1/2 (13)	3/8 (10)

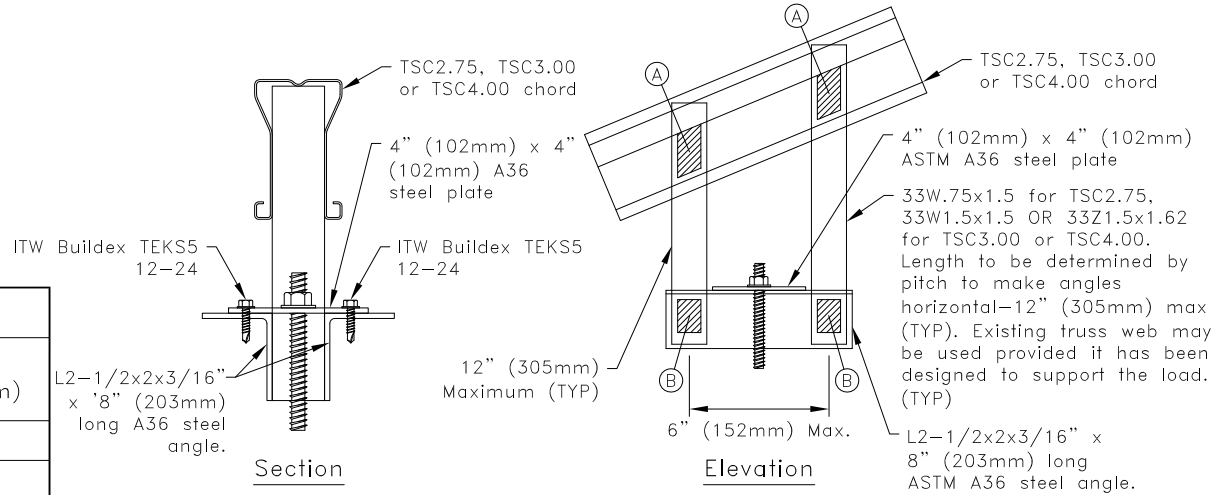
(B) Refer to ASTM A6 for metric angle sizes.

(C) For 3/8" (10mm) diameter threaded rod / nut, washer inside diameter = 7/16" (11mm) and outside diameter = 13/16" (21mm). For 1/2" (13mm) diameter threaded rod / nut, washer inside diameter = 9/16" (14mm) and outside diameter = 1-1/16" (27mm).



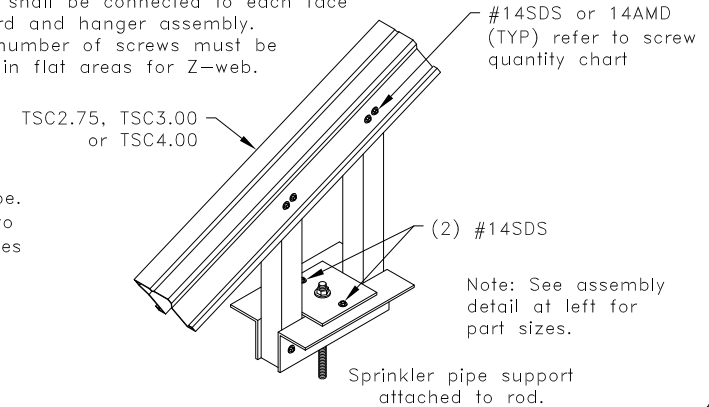
#### General Notes:

1. SDS = self-drilling tapping screw
2. Screw spacing and end distance is 3/4" (19mm).
3. Values shown are for the sprinkler pipe hanger only. Truss must be properly loaded for sprinkler pipe load. Refer to TrusSteel Technical Bulletin TB00.09.01, "Sprinkler Pipes - Truss Loading & Connections".
4. It is the responsibility of the architect or engineer of record to review this hanger design to verify it conforms with the overall sprinkler system support design.
5. Hanger loads were determined per NFPA13 "Standard For The Installation Of Sprinkler Systems" and assume schedule 40 steel pipe.
6. Pipe hanger spacing shall not exceed 12' (3658mm) for pipes up to and including 1-1/4" (32mm) diameter and 15' (4572mm) for pipes greater than 1-1/4" (32mm) diameter per NFPA13.
7. Nut shall be grade A, HEX conforming to ASTM A563 and Washer shall conform to ASTM F436.
8. Cold-Formed Steel Calculations are per the 2010 supplement to the AISI 2007 "North American Specifications for the Design of Cold-Formed Steel Structural Members" (S100-07/S2-10).



Max. Sprinkler Pipe Diameter, in. (mm)	Screws (#14SDS or 14AMD)	
	(A)	(B)
2 (51)	2	2
4 (102)	2	2
6 (152)	3	3
8 (203)	4	5

-Screws shall be connected to each face of chord and hanger assembly.  
-Equal number of screws must be placed in flat areas for Z-web.



# TrusSteel®

www.TrusSteel.com

Florida: 1950 Marley Drive / Haines City, FL 33844 / (800) 755-6001  
Missouri: 13389 Lakefront Drive / Earth City, MO 63045 / (800) 326-4102

## Top Chord Sprinkler Pipe Hanger For 8" (203mm) Maximum Diameter Pipe

ITW Building Components Group, Inc. shall not be responsible for any performance failure in a connection due to a deviation from this detail. Any variation from this detail shall be approved in advance by ITW Building Components Group, Inc.

Standard Detail:  
TS049B

Date:  
07/16/12

TrusSteel Detail Category:  
Sprinkler Pipe Hangers