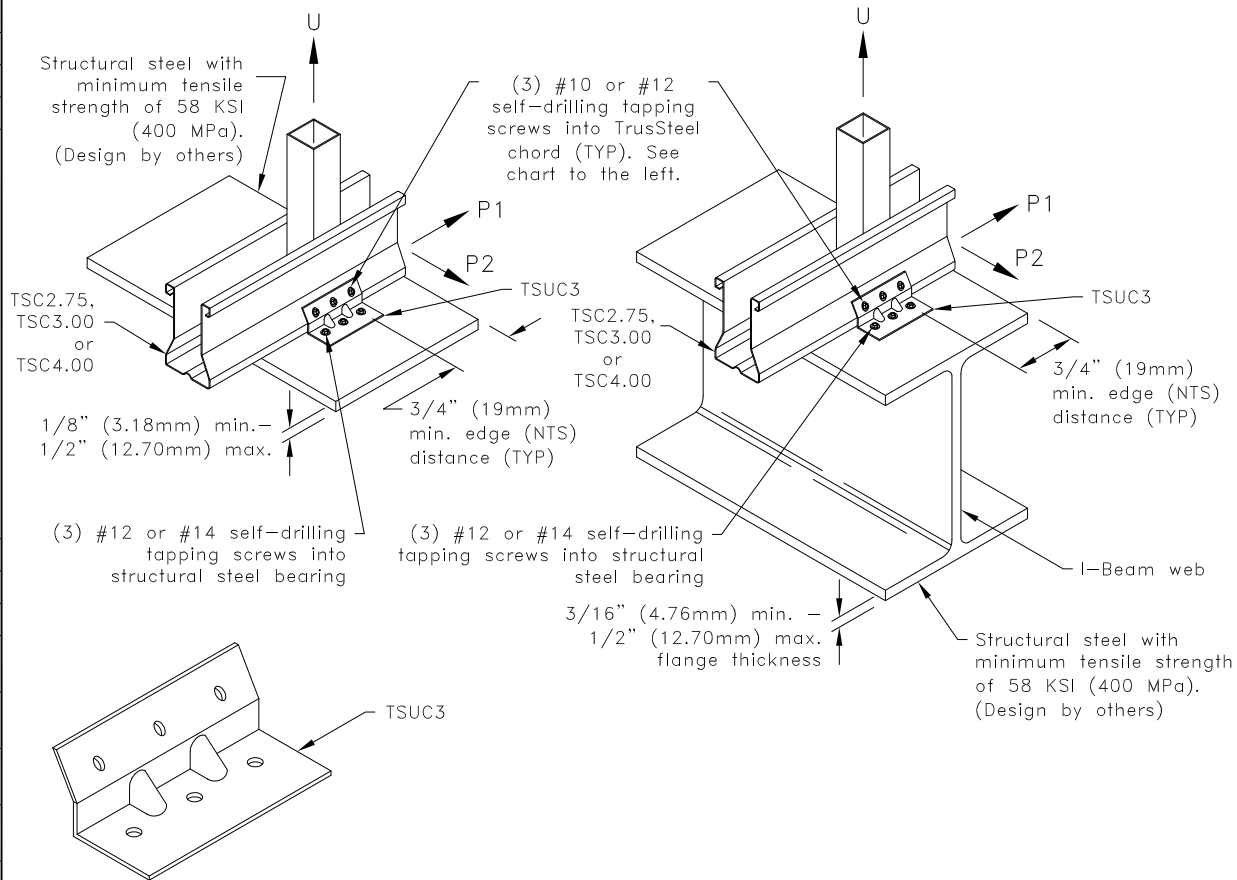


Allowable Loads lbs (kN) <sup>A</sup>						
Chord	Clip on one face <sup>B</sup>					
	#10SDS into bottom chord			#12SDS into bottom chord		
	U	P1	P2	U	P1	P2
28TSC2.75	400 (1.78)	620 (2.76)	310 (1.38)	400 (1.78)	660 (2.94)	340 (1.51)
33TSC2.75		770 (3.43)	340 (1.51)		820 (3.65)	
43TSC2.75		1140 (5.07)			1220 (5.43)	
28TSC3.00 or 28TSC4.00	620 (2.76)		310 (1.38)	660 (2.94)		
33TSC3.00 or 33TSC4.00	740 (3.29)	770 (3.43)	340 (1.51)	740 (3.29)	820 (3.65)	
43TSC3.00 or 43TSC4.00		1140 (5.07)			1220 (5.43)	
54TSC3.00 or 54, 68 & 97TSC4.00		1310 (5.83)			1490 (6.63)	
Chord	Clip on both faces					
	#10SDS into bottom chord			#12SDS into bottom chord		
	U	P1	P2	U	P1	P2
28TSC2.75	1230 (5.47)		630 (2.80)	1310 (5.83)		710 (3.16)
33TSC2.75	1530 (6.81)		730 (3.25)	1630 (7.25)		830 (3.69)
43TSC2.75	1960 (8.72)	2280 (10.14)	880 (3.91)	1960 (8.72)	2430 (10.81)	880 (3.91)
28TSC3.00 or 28TSC4.00	1230 (5.47)		630 (2.80)	1310 (5.83)		710 (3.16)
33TSC3.00 or 33TSC4.00	1530 (6.81)		730 (3.25)	1630 (7.25)		830 (3.69)
43TSC3.00 or 43TSC4.00	1960 (8.72)	2280 (10.14)	880 (3.91)	1960 (8.72)	2430 (10.81)	880 (3.91)
54TSC3.00 or 54, 68 & 97TSC4.00		2620 (11.65)			2970 (13.21)	

A. Allowable loads shown are not in combination.  
 B. Uplift connections with clip on one face require web above connection.



**General Notes:**

1. Attachment of second clip on opposite face of chord is identical to what is detailed.
2. Do not overdrive screws. Overdriven screws may strip out TrusSteel chord.
3. Do not drive screws into area of beam flange directly above beam web.
4. To select proper self-drilling tapping screw for structural steel thickness refer to screw manufacturer's recommendations. Refer to manufacturer's specification and code approval regarding proper installation of #12 or #14 self-drilling tapping screws into steel thickness shown above.
5. Cold-Formed Steel Calculations are per the 2010 supplement to the AISI 2007 "North American Specifications for the Design of Cold-Formed Steel Structural Members" (S100-07/S2-10).

**TrusSteel**<sup>®</sup>

www.TrusSteel.com

Florida: 1950 Marley Drive / Haines City, FL 33844 / (800) 755-6001  
 Missouri: 13389 Lakefront Drive / Earth City, MO 63045 / (800) 326-4102

**TSUC3 Attachment To  
Structural Steel Bearing  
Using Screws**

ITW Building Components Group, Inc. shall not be responsible for any performance failure in a connection due to a deviation from this detail. Any variation from this detail shall be approved in advance by ITW Building Components Group, Inc.

**Standard Detail:**

TS047

**Date:**

07/16/12

**TrusSteel Detail Category:**

Truss-To-Bearing: Structural Steel