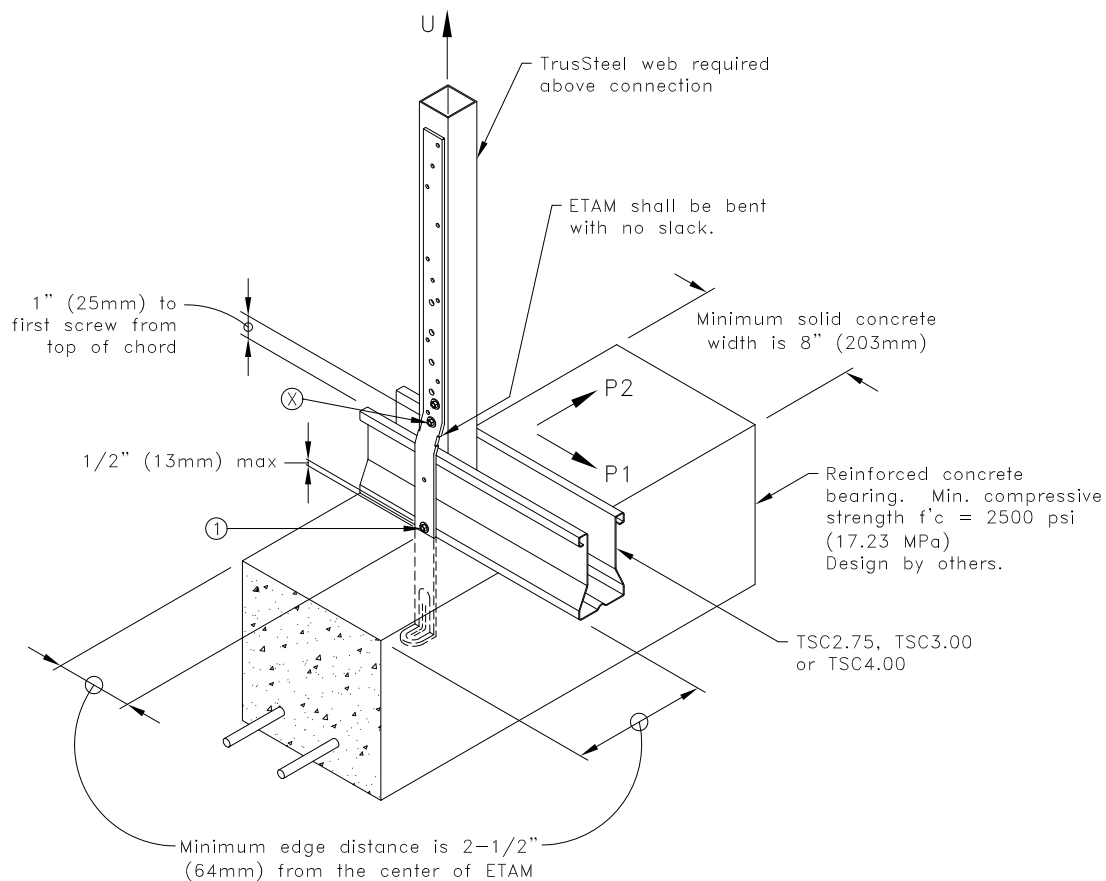
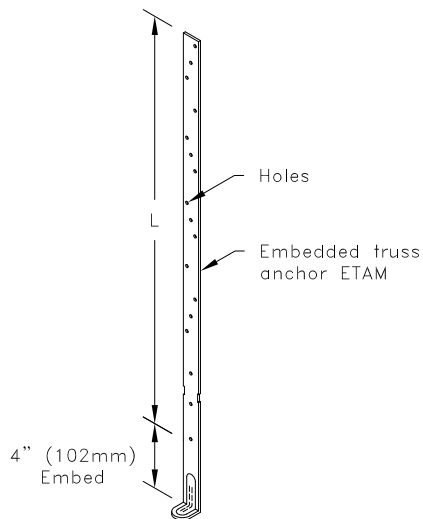


Allowable U lbs (kN) <sup>A</sup>			
χ <sup>B</sup>	ETAM on One Face		ETAM on Both Faces
	TSC2.75	TSC3.00 or TSC4.00	TSC2.75, TSC3.00 and TSC4.00
2	440 (1.96)	440 (1.96)	880 (3.91)
3	550 (2.45)	660 (2.94)	1320 (5.87)
4	550 (2.45)	880 (3.91)	1760 (7.83)
Allowable P1 and P2 lbs (kN) <sup>A</sup>			
P1/P2	ETAM on One Face	ETAM on Both Faces	
P1	85 (0.38)	170 (0.76)	
P2	65 (0.29)	130 (0.58)	

- A. Allowable loads shown are not in combination.  
 B. The quantity "X" represents the required number of #10 self-drilling tapping screws.

ETAM	"L" in. (mm)
ETAM16	12 (305)
ETAM18	14 (356)
ETAM20	16 (406)
ETAM22	18 (457)
ETAM24	20 (508)



General Notes:

1. Attachment of second ETAM on opposite face of chord is identical to that detailed above.
2. Truss shall have at least one vertical web over the bearing to accommodate the ETAM.
3. Screws shall be located such that one screw connects the ETAM and the truss bottom chord and at least two screws connect the ETAM and the vertical web over the bearing. The one screw connecting the ETAM to the truss bottom chord must be located no more than 1/2" (13mm) up from the bottom of the chord.
4. ETAM length is to be determined by quantity of screws required in the strap.
5. Allowable loads shown are for use with normal weight concrete.
6. Cold-Formed Steel Calculations are per the 2010 supplement to the AISI 2007 "North American Specifications for the Design of Cold-Formed Steel Structural Members" (S100-07/S2-10).

**TrusSteel**<sup>®</sup>

www.TrusSteel.com

Florida: 1950 Marley Drive / Haines City, FL 33844 / (800) 755-6001  
 Missouri: 13389 Lakefront Drive / Earth City, MO 63045 / (800) 326-4102

**ITWBCG ETAM  
 Uplift Attachment To  
 Concrete Bearing**

ITW Building Components Group, Inc. shall not be responsible for any performance failure in a connection due to a deviation from this detail. Any variation from this detail shall be approved in advance by ITW Building Components Group, Inc.

**Standard Detail:**  
 TS034

**Date:**  
 07/16/12

**TrusSteel Detail Category:**  
 Truss-To-Bearing: Concrete