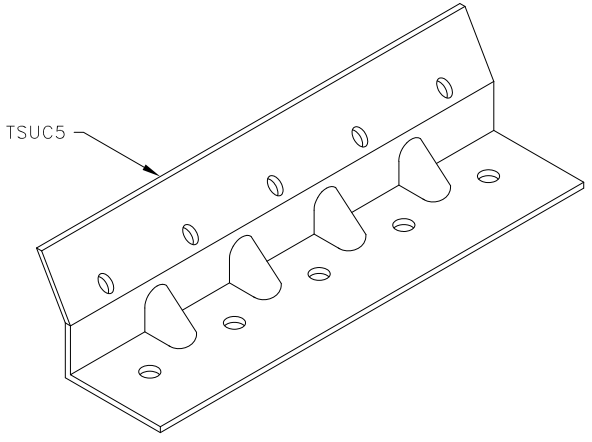
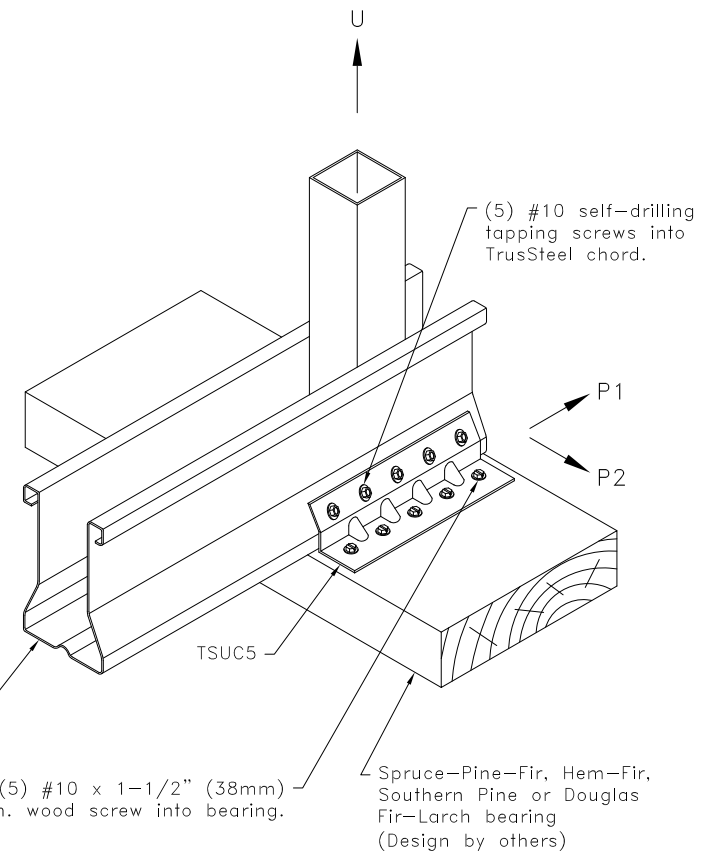


Allowable U lbs (kN) ^A								
Chord	Southern Pine		Douglas Fir-Larch		Spruce-Pine-Fir		Hem-Fir	
	Clip on one face ^B	Clip on both faces	Clip on one face ^B	Clip on both faces	Clip on one face ^B	Clip on both faces	Clip on one face ^B	Clip on both faces
28TSC2.75	400 (1.78)	2050 (9.12)	400 (1.78)	2050 (9.12)	400 (1.78)	1540 (6.85)	400 (1.78)	1600 (7.12)
33TSC2.75		2550 (11.34)		2160 (9.61)				
43TSC2.75		2610 (11.61)		2160 (9.61)				
28TSC3.00 or 28TSC4.00	740 (3.29)	2050 (9.12)	740 (3.29)	2050 (9.12)	650 (2.89)	1540 (6.85)	670 (2.98)	1600 (7.12)
33TSC3.00 or 33TSC4.00		2550 (11.34)		2160 (9.61)				
43 & 54TSC3.00, 43, 54, 63 & 97TSC4.00		2610 (11.61)		2160 (9.61)				

Allowable P1 lbs (kN) ^A							
Southern Pine		Douglas Fir-Larch		Spruce-Pine-Fir		Hem-Fir	
Clip on one face	Clip on both faces	Clip on one face	Clip on both faces	Clip on one face	Clip on both faces	Clip on one face	Clip on both faces
1000 (4.45)	2000 (8.90)	930 (4.41)	1860 (8.27)	800 (3.56)	1600 (7.12)	820 (3.65)	1630 (7.25)

Allowable P2 lbs (kN) ^A					
28TSC		33TSC		43, 54, 68 & 97TSC	
Clip on one face	Clip on both faces	Clip on one face	Clip on both faces	Clip on one face	Clip on both faces
520 (2.31)	1050 (4.67)	570 (2.53)	1210 (5.38)	570 (2.53)	1470 (6.54)

A. Allowable loads shown are not in combination.
 B. Uplift connections with a clip on one face require a web above the connection.



General Notes:

1. 2x6 (38mm x 140mm) or larger bearing may be used.
2. Attachment of second clip on opposite face of chord is identical to what is detailed.
3. Design of bearing shall be by others.
4. Wood screws require a lead hole to be drilled before insertion of screw. Diameter of lead hole to be 9/64" (3.57mm).
5. Allowable wood screw uplift and lateral loads have been increased by 1.6 duration factor for wind and seismic loads.
6. If bearing is pressure treated lumber, contact a TrusSteel engineer for assistance.
7. Allowable fastener values into wood are per ANSI/AWC NDS-2012.
8. Cold-Formed Steel Calculations are per the 2010 supplement to the AISI 2007 "North American Specifications for the Design of Cold-Formed Steel Structural Members" (S100-07/S2-10).

TrusSteel[®]
 www.TrusSteel.com

TSUC5 Uplift Attachment To Wood Bearing

Florida: 1950 Marley Drive / Haines City, FL 33844 / (800) 755-6001
 Missouri: 13389 Lakefront Drive / Earth City, MO 63045 / (800) 326-4102

ITW Building Components Group, Inc. shall not be responsible for any performance failure in a connection due to a deviation from this detail. Any variation from this detail shall be approved in advance by ITW Building Components Group, Inc.

Standard Detail:
 TS033
Date:
 07/16/12

TrusSteel Detail Category:
 Truss-To-Bearing: Wood