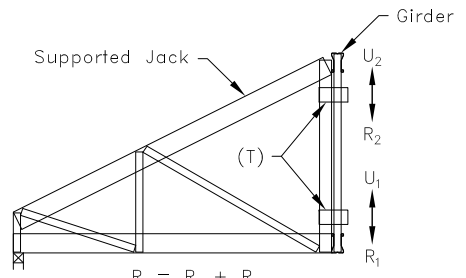


Partial Layout

(T) = TTC; for 2 clip connection, place at top and bottom as shown. For 1 clip connection, place at bottom, or as analyzed. Bend clip to fit.



Typical Jack to Girder Connection

$$R = R_1 + R_2$$

$$U = U_1 + U_2$$

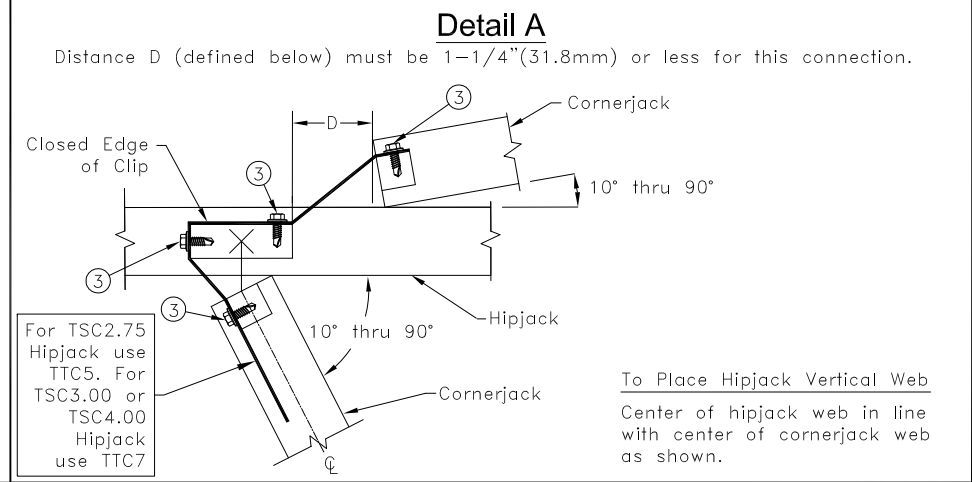
Allowable Values

Supported Jack Type	Number of Clips	R = U lbs (kN)
Cornerjack	1 ^A	500 (2.22)
Cornerjack	2	1000 (4.44)
Hipjack	2	1235 (5.49)
Endjack	2	1235 (5.49)

A. (1) Clip may be used when supported truss height is less than 48" (1219mm).

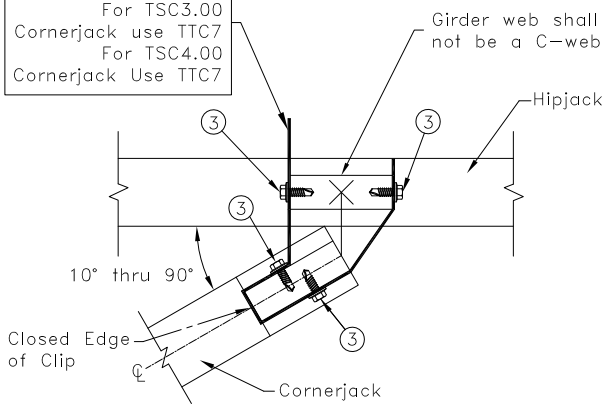
General Notes:

1. The top and bottom chords of all trusses shall be properly connected to structural sheathing or purlins.
2. If supported truss or girder web is a Z-web, refer to TS068 for connection areas.
3. All end distances, edge distances and spacing are 9/16" (14.3mm) minimum.
4. Circled numbers represent quantity of #10 self-drilling tapping screws per clip.
5. Truss must be analyzed with concentrated loads directly in line with correctly placed girder vertical webs. Details A, B, C1, & C2 give correct web placement information.
6. For multi-ply #1 Hips, refer to Standard Detail TS025D for ply to ply connection requirements.
7. In Detail A, if girder web is a C-web, screws shall not be applied to open face.
8. Cold-Formed Steel Calculations are per the 2010 supplement to the AISI 2007 "North American Specifications for the Design of Cold-Formed Steel Structural Members" (S100-07/S2-10).



Detail B

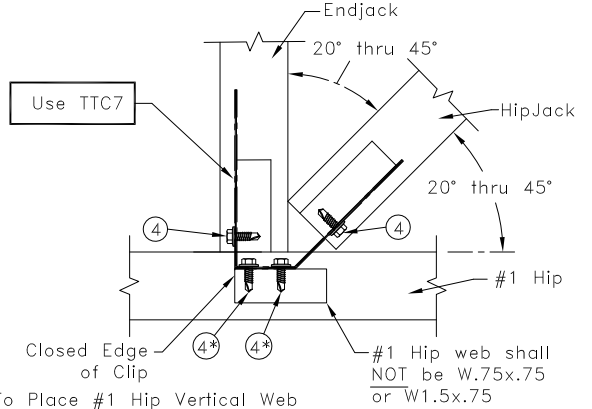
For TSC2.75 Cornerjack use TTC5
For TSC3.00 Cornerjack use TTC7
For TSC4.00 Cornerjack Use TTC7



To Place Hipjack Vertical Web
Center of hipjack web in line with center of cornerjack web as shown.

Detail C1

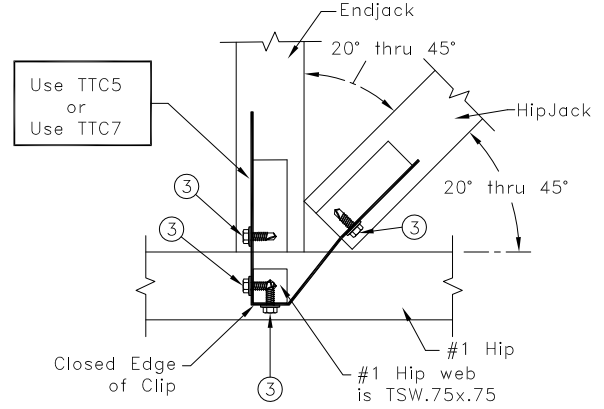
#1 Hip web shall be wider than .75" (19.1 mm)



To Place #1 Hip Vertical Web
Edge of #1 hip web in line with edge of endjack web as shown.
* Clip must be bent as needed to insure that screws penetrate both connection areas for Z-webs.

Detail C2

#1 Hip web is TSW.75x.75



To Place #1 Hip Vertical Web
Edge of #1 hip web in line with edge of endjack web as shown.

TrusSteel[®]
www.TrusSteel.com

Non 45 degree Hipjack,
Endjack,
& Cornerjack
Connection Details

Standard Detail:
TS025A
Date:
07/16/12

Florida: 1950 Marley Drive / Haines City, FL 33844 / (800) 755-6001
Missouri: 13389 Lakefront Drive / Earth City, MO 63045 / (800) 326-4102

ITW Building Components Group, Inc. shall not be responsible for any performance failure in a connection due to a deviation from this detail. Any variation from this detail shall be approved in advance by ITW Building Components Group, Inc.

TrusSteel Detail Category:
Truss-to-Truss Connection