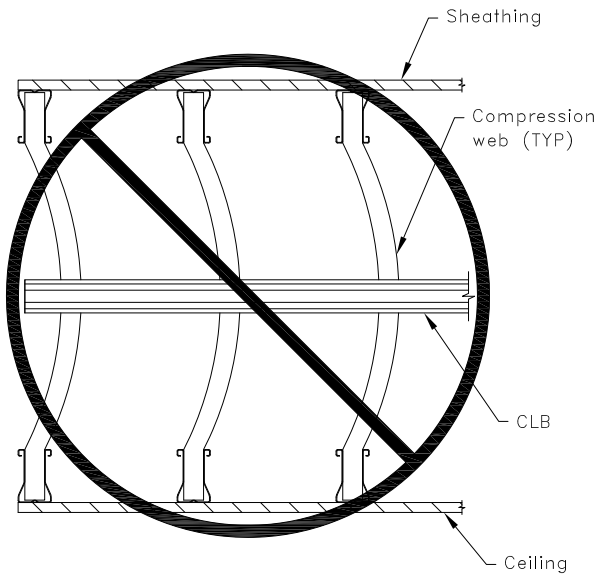


Figure 1

 **WHAT NOT TO DO:** Fail to anchor/restrain lateral bracing



 **Danger!** Continuous Lateral Bracing

(CLB) maintains spacing, but permits lateral buckling of all web members at the same time unless properly restrained. To prevent this failure, anchor or restrain the lateral bracing by the methods shown in figures 2A and 2B, or by another method specified by a registered design professional.

NOTICE

This detail is **NOT** to be used for design purposes. Refer to **WARNING** note below for specific information regarding truss bracing.

Figure 2A

Use Diagonal Brace Restraint (DBR) within the unit

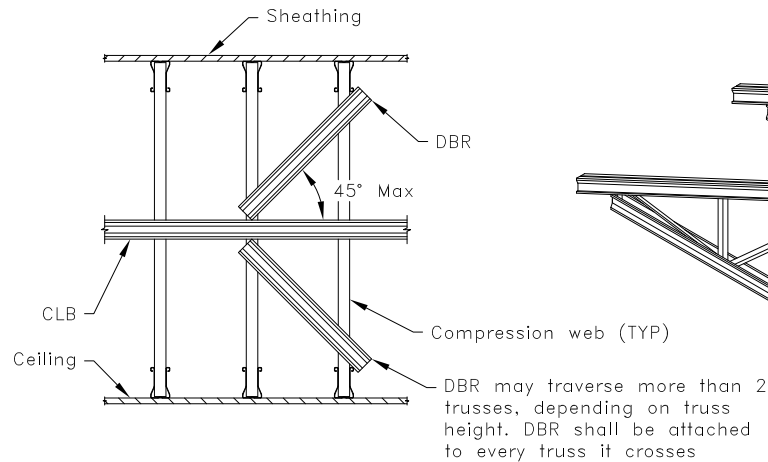
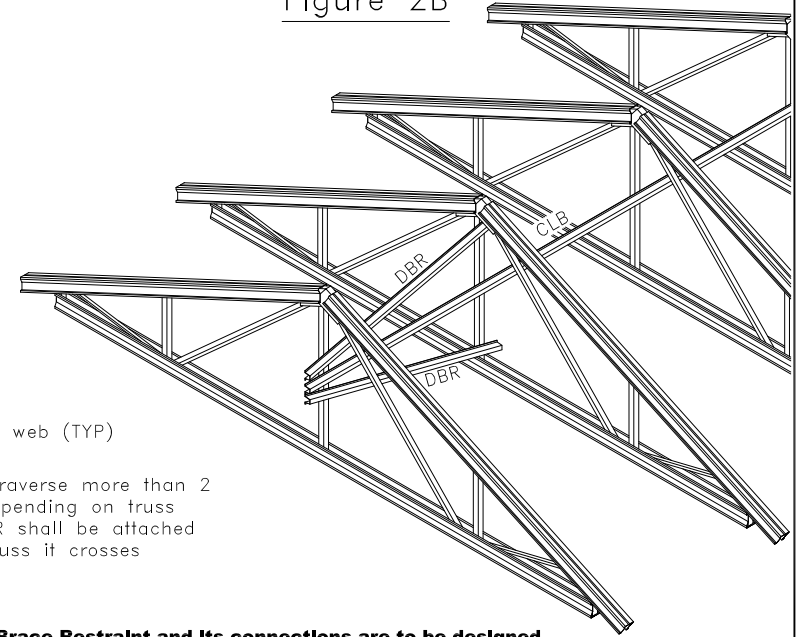


Figure 2B



WARNING! - Diagonal Brace Restraint and its connections are to be designed

by a registered design professional. The diagonal brace prevents lateral movement of the web and transfers lateral brace force to roof and ceiling diaphragms. Diagonal brace should be repeated at a maximum of 20' (6096mm) intervals or as specified by a registered design professional. One end of the DBR is to be attached to the braced web near the CLB. The opposite end of the DBR is to be attached near the truss chord. Refer to figures 2A and 2B.

General Notes:

1. Truss spacing is 4'0" (1219mm) O.C. maximum.
2. Refer to approved bracing design for required brace material and connections.
3. CLB = Continuous Lateral Brace
4. DBR = Diagonal Brace Restraint

TrusSteel[®]

www.TrusSteel.com

Florida: 1950 Marley Drive / Haines City, FL 33844 / (800) 755-6001
Missouri: 13389 Lakefront Drive / Earth City, MO 63045 / (800) 326-4102

General Guidelines for Web CLB Restraint

ITW Building Components Group, Inc. shall not be responsible for any performance failure in a connection due to a deviation from this detail. Any variation from this detail shall be approved in advance by ITW Building Components Group, Inc.

Standard Detail:

TS017

Date:

07/16/12

TrusSteel Detail Category:

Bracing / Reinforcement