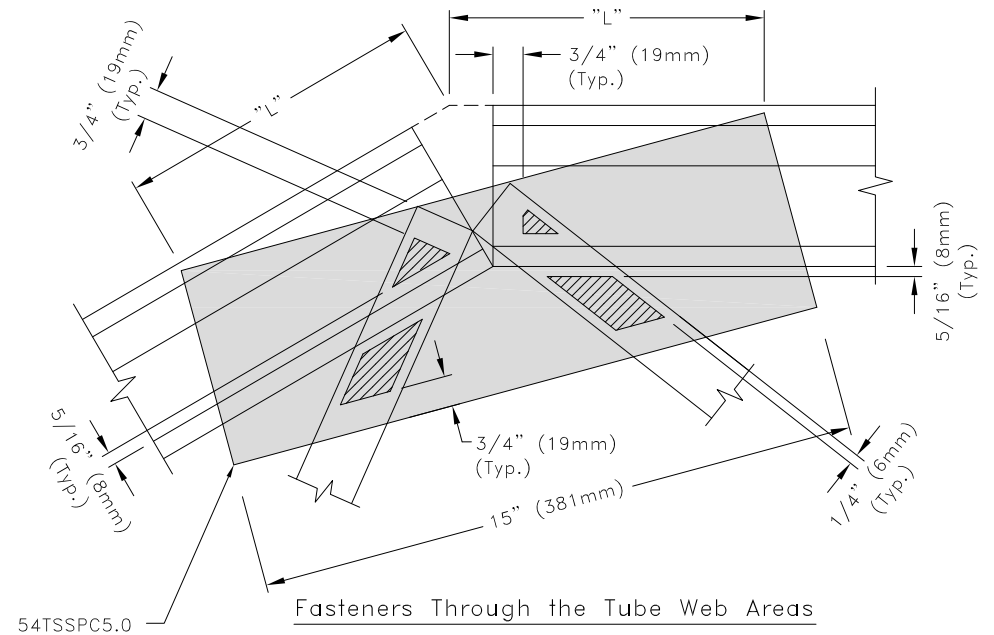
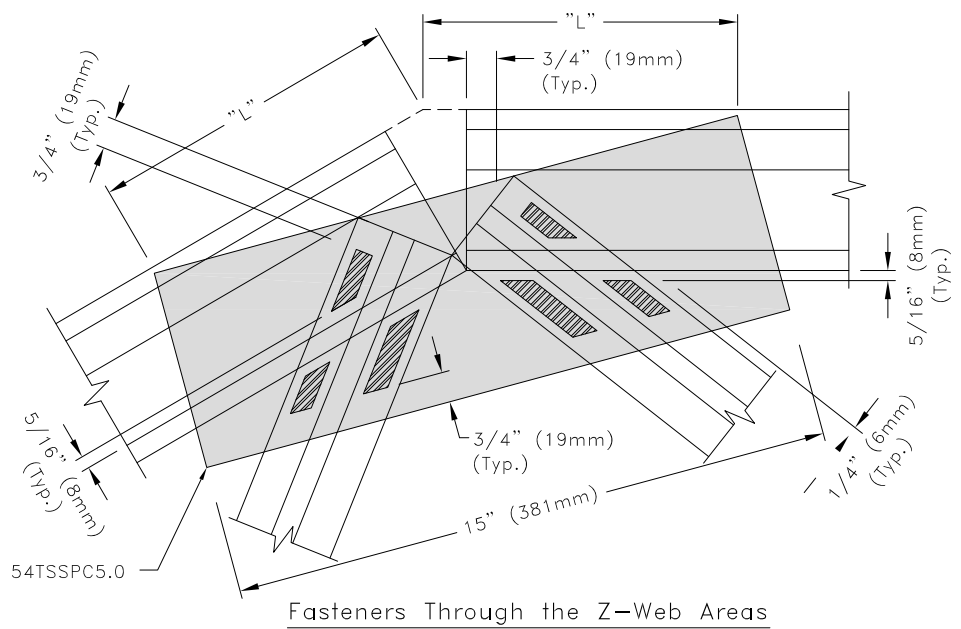


Fasteners Through the Chord Areas



Fasteners Through the Tube Web Areas



Fasteners Through the Z-Web Areas

General Notes:

1. Fastener spacing and end distance is 3/4" (19mm) minimum, except as shown.
2. Refer to approved truss drawings for required fastener type and quantities for each fastener contact area.
3. Fastener contact areas that coincide with other contact areas may use a common fastener for both areas. This will result in a reduction in the total number of fasteners required at the pitch break joint.
4. Lengths "L" are equal.
5. = Fastener contact area.

TrusSteel[®]
www.TrusSteel.com

Florida: 1950 Marley Drive / Haines City, FL 33844 / (800) 755-6001
Missouri: 13389 Lakefront Drive / Earth City, MO 63045 / (800) 326-4102

**TSC3.00 or TSC4.00
Straight Pitch Break
Connector Fastener Areas**

ITW Building Components Group, Inc. shall not be responsible for any performance failure in a connection due to a deviation from this detail. Any variation from this detail shall be approved in advance by ITW Building Components Group, Inc.

Standard Detail:
TS016B
Date:
07/16/12

TrusSteel Detail Category:
Pitch Break Connections