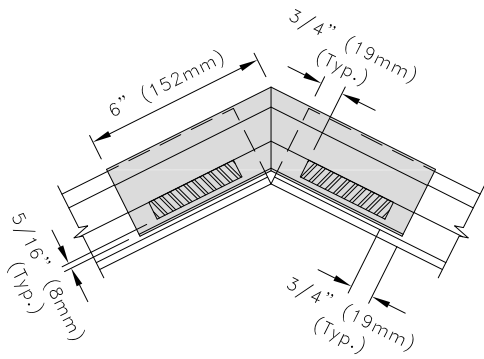
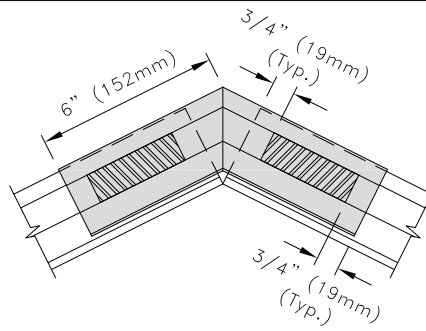


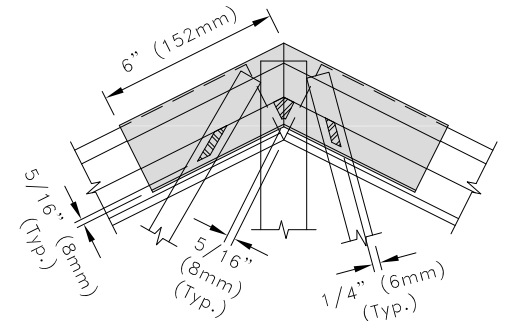
## TOP CHORD PITCH BREAKS



Fasteners Through The Flat Chord Area

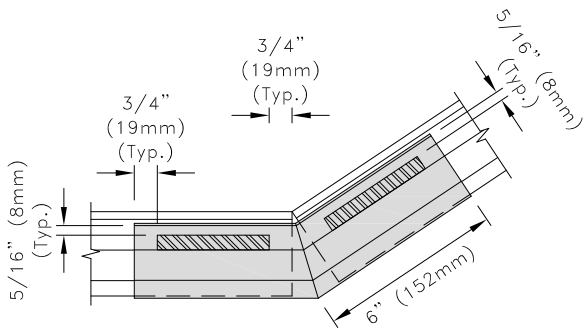


Fasteners Through The Slanted Chord Area

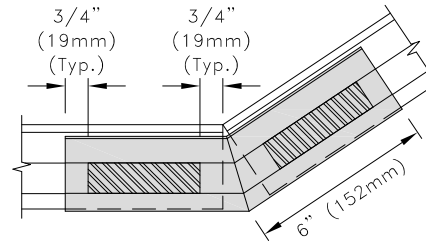


Fasteners Through The Web Area

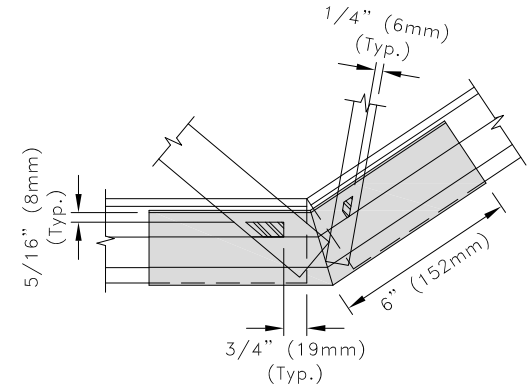
## BOTTOM CHORD PITCH BREAKS



Fasteners Through The Flat Chord Area



Fasteners Through The Slanted Chord Area

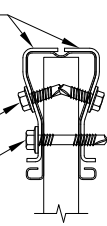


Fasteners Through The Web Area

Pair of TS68UPS2W welded pitch break connectors.

Fasteners in slanted area of chord.

Fasteners in flat area of chord.

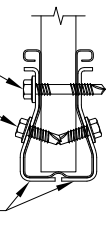


Section View  
Top Chord Pitch Break

Fasteners in flat area of chord.


Fasteners in slanted area of chord.

Pair of TS68UPS2W welded pitch break connectors.



Section View  
Bottom Chord Pitch Break

### General Notes:

1. Fastener spacing and end distance is 3/4" (19mm) minimum, except as shown.
2. Refer to approved truss drawings for required fastener type and quantities for each fastener contact area.
3. Fastener contact areas that coincide with other contact areas may use a common fastener for both areas. This will result in a reduction in the total number of fasteners required at the pitch break joint.
4.  = Fastener contact area.

**TrusSteel**<sup>®</sup>

www.TrusSteel.com

**TSC2.75**  
**Welded Pitch Break Connector**  
**Fastener Areas**

ITW Building Components Group, Inc. shall not be responsible for any performance failure in a connection due to a deviation from this detail. Any variation from this detail shall be approved in advance by ITW Building Components Group, Inc.

**Standard Detail:**  
**TS004C**

**Date:**  
**07/16/12**

**TrusSteel Detail Category:**  
Pitch Break Connections

Florida: 1950 Marley Drive / Haines City, FL 33844 / (800) 755-6001  
Missouri: 13389 Lakefront Drive / Earth City, MO 63045 / (800) 326-4102