

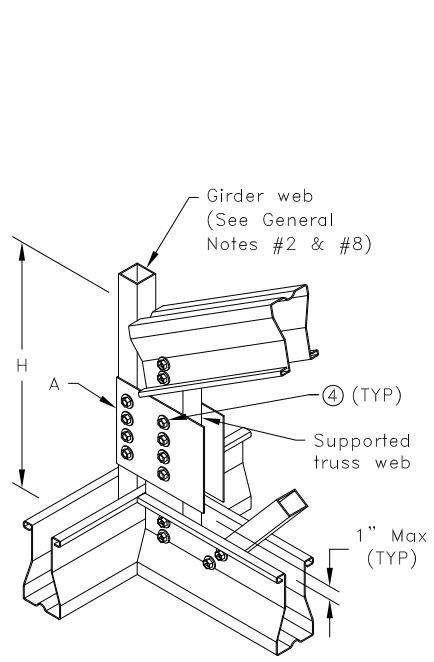
TTC Clip Sizes and Information	
"A" Clips connect the supported truss to the girder truss.	
TSC2.75	TSC3.00 or TSC4.00
A = TTC5	A = TTC7

Allowable Values					
H _{min} in (mm)		H _{max} in (mm)	Number of "A" Clips	Supported Truss Web is Tube Web or Z-Web	Supported Truss Web is C-Web
TSC2.75	TSC3.00 TSC4.00			R = U lbs (kN)	R = U lbs (kN)
9-1/2 (241)	12 (305)	48 (1219)	1	1730 (7.70)	1420 (6.32)
19 (483)	24 (610)	no max limit	2	2470 (10.99)	2470 (10.99)

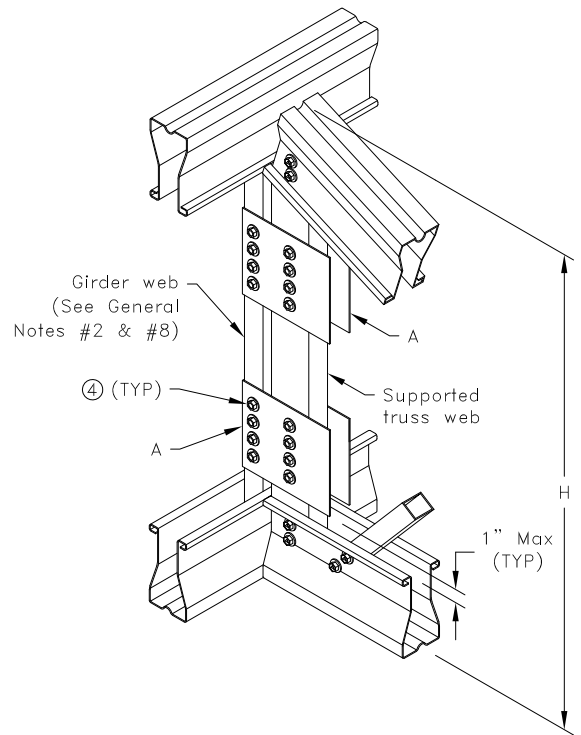
Typical Supported Truss to Girder Connection

$$R = R_1 + R_2$$

$$U = U_1 + U_2$$



Truss To 1-Ply Supporting Truss Using 1 TTC Clip



Truss To 1-Ply Supporting Truss Using 2 TTC Clips

General Notes:

1. The top and bottom chords of all trusses shall be properly connected to structural sheathing or purlins, designed by others.
2. If supported truss or girder web is a Z-web, refer to TS068 for connection areas.
3. Circled numbers represent the number of #10 self-drilling tapping screws required on each face.
4. Screw spacing, edge distance and end distance is 9/16" (14mm) minimum.
5. The supported truss must be designed utilizing a clip bearing type. For 2 clip connections, place clips within 1" of top and bottom chords as shown. For 1 clip connections, place clip within 1" of bottom chord or as analyzed.
6. R = Allowable Reaction and U = Allowable Uplift.
7. H = Heel height of supported truss.
8. This detail is to be used when girder web and supported web are the same width.
9. Cold-Formed Steel Calculations are per the 2010 supplement to the AISI 2007 "North American Specifications for the Design of Cold-Formed Steel Structural Members" (S100-07/S2-10).

TrusSteel[®]
www.TrusSteel.com

Truss-To-Truss Connection
Using TTC Clips (1 Ply Girder)

ITW Building Components Group, Inc. shall not be responsible for any performance failure in a connection due to a deviation from this detail. Any variation from this detail shall be approved in advance by ITW Building Components Group, Inc.

Standard Detail:
TS001A
Date:
07/16/12

TrusSteel Detail Category:
Truss-To-Truss Connections