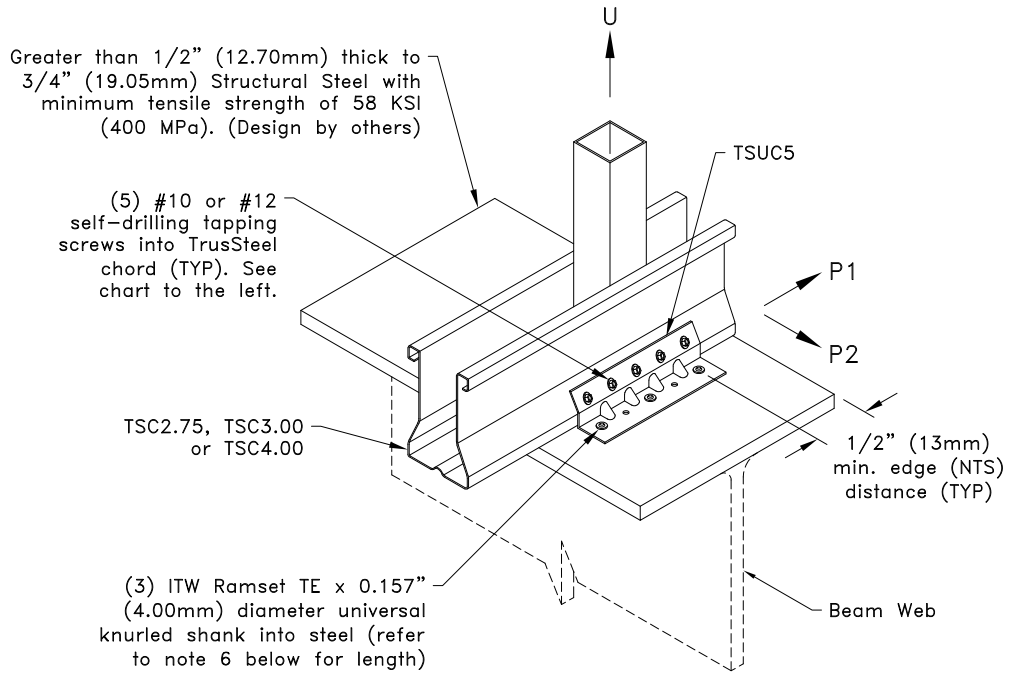
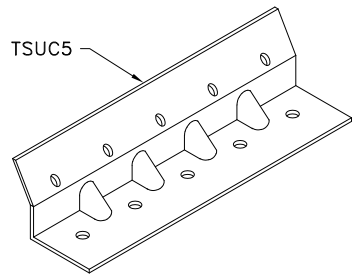


Allowable Loads lbs (kN)<sup>A,C</sup>

Chord	Clip on one face <sup>B</sup>					
	#10SDS into bottom chord			#12SDS into bottom chord		
	U	P1	P2	U	P1	P2
28TSC2.75	400 <sup>D,E</sup> (1.78)	1030 (4.58)	520 (2.31)	400 <sup>D,E</sup> (1.78)	1090 (4.85)	570 (2.54)
33TSC2.75		1280 (5.69)	570 (2.54)		1360 (6.05)	
43TSC2.75		1490 (6.63)			1490 (6.63)	
28TSC3.00 or 28TSC4.00	740 <sup>F</sup> (3.29)	1030 (4.58)	520 (2.31)	740 <sup>F</sup> (3.29)	1090 (4.85)	
33TSC3.00 or 33TSC4.00		1280 (5.69)	570 (2.54)		1360 (6.05)	
43 & 54TSC3.00, 43, 54, 68 & 97TSC4.00		1490 (6.63)			1490 (6.63)	
Chord	Clip on both faces					
	#10SDS into bottom chord			#12SDS into bottom chord		
	U	P1	P2	U	P1	P2
28TSC	2050 (9.12)		1050 (4.67)	2060 (9.16)	2190 (9.74)	1190 (5.29)
33TSC	2060 (9.16)	2550 (11.34)	1210 (5.38)		2720 (12.10)	1380 (6.14)
43, 54, 68 & 97TSC		2980 (13.26)	1470 (6.54)		2980 (13.26)	1470 (6.54)

- A. Allowable loads shown are not in combination.  
 B. Uplift connections with clip on one face require a web above connection. For values in chart, TSC2.75 minimum web is 33W.75x.75 and TSC3.00 or TSC4.00 minimum web is 33W1.5x.75.  
 C. When connecting to steel between 3/16" (4.76mm) and 1/2" (12.70mm) refer to TS040B.  
 D. If web above connection is 33W.75x1.5, U = 710 lbs (3.16 kN).  
 E. If web above connection is 33W.75x2.25, U = 860 lbs (3.83 kN).  
 F. If web above connection is 33C1.5x1.5, U = 860 lbs (3.83 kN).



General Notes:

- If a clip is required on both faces, attach the second clip to the opposite face of the chord as detailed.
- Multi-ply trusses require a clip on each face. Refer to TrusSteel detail drawing TS023A for ply-to-ply connections for 3-Ply trusses with a clip on each face.
- Install pins in the two outside holes and the middle of TSUC5 clip.
- Pins must be driven through existing holes in TSUC5 clip and be driven perpendicular to steel surface.
- Care must be taken to ensure pins are not overdriven. Pins that are overdriven may puncture surface of TSUC5 clip causing damage. If TSUC5 clip is damaged, the values given on this detail are no longer valid.
- Pin length shall be minimum of 5/8" (16mm) to ensure a pin penetration of a minimum of 1/2" (13mm).
- Do not install pins into area of beam flange directly above beam web.
- Allowable ITW Ramset TE Fastener values into steel bearing are per ICC ESR-1799 (June 2021). Refer to ESR regarding proper installation of fastener.
- Cold-Formed Steel calculations are per the 2020 supplement to AISI 2016 "North American Specification for the Design of Cold-Formed Steel Structural Members" (S100-16/S2-20).

**ALPINE TrusSteel™**  
 www.TrusSteel.com  
 155 Harlem Ave., North Building, 4th Floor / Glenview, IL 60025 / (800) 755-6001

**TSUC5 Uplift Attachment To Structural Steel Bearing Using ITW Ramset Pins**  
 (Steel Greater Than 1/2" to 3/4" Thick)

Alpine, a division of ITW Building Components Group, Inc. shall not be responsible for any performance failure in a connection due to a deviation from this detail. Any variation from this detail shall be approved in advance by Alpine, a division of ITW Building Components Group, Inc.

**Standard Detail:**  
 TS040C  
**Date:**  
 06/01/22  
**TrusSteel Detail Category:**  
 Truss-To-Bearing: Structural Steel